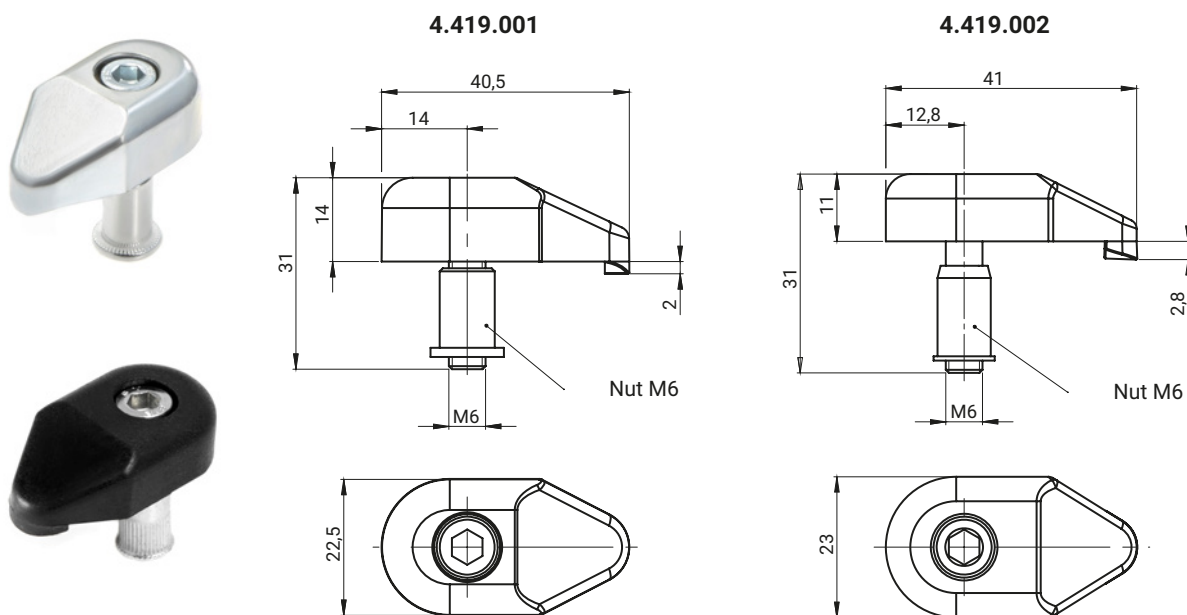


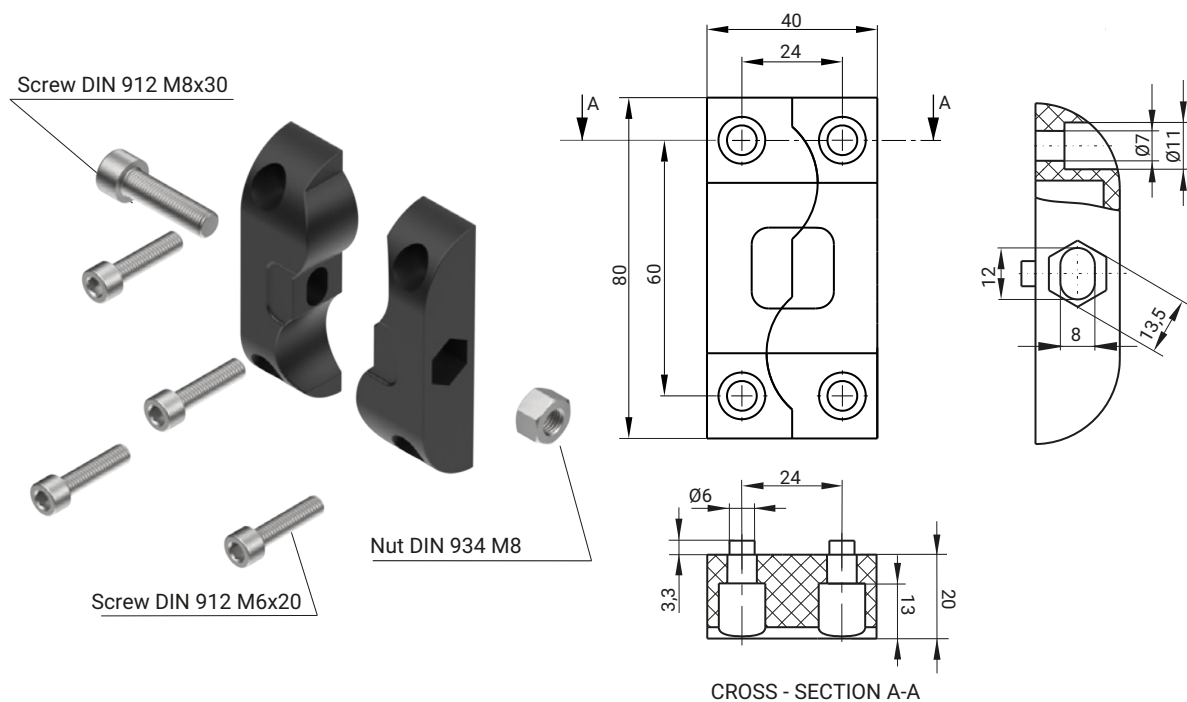
# Bridge clamp system 4.419

## Connector 4.429



CATALOGUE NO.	DETAL	MATERIAL	FINISH [C]				
			Without finishing	Nickel	Zink plated	RAL 9005	RAL 7035
4.419.001	Metal bridge clamp	ZAMAK 5	00	02	03	04	05
4.419.002	Plastic bridge clamp	Polyamide	RAL 9005 (07)				

### Connector 4.429.001



\* DIN 912 screws and DIN 934 nut included.

CATALOGUE NO.	MATERIAL	FINISH [C]
		4.429.001