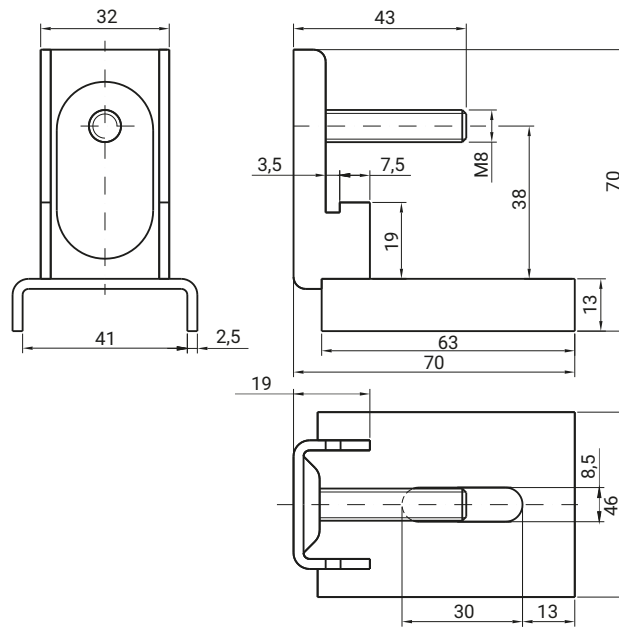
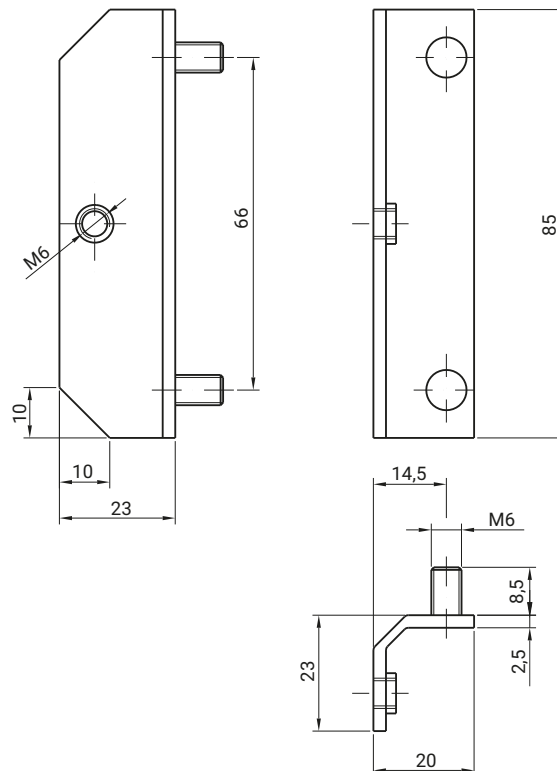


Masking plate bracket 4.412, Holder 4.413



CATALOGUE NO.	NAME	MATERIAL
4.412.001	Masking plate bracket	Steel zinc plated



CATALOGUE NO.	NAME	MATERIAL
4.413.001	Holder	Steel zinc plated