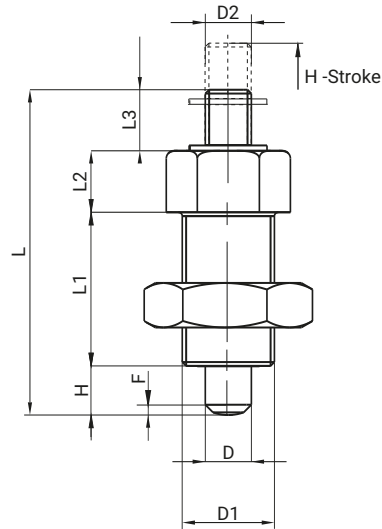


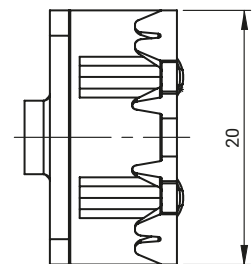
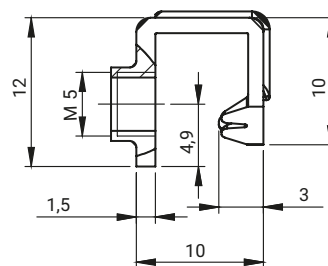
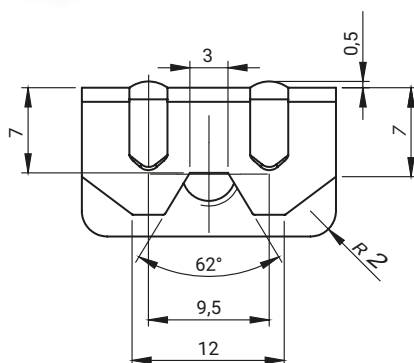
Fixing pivot 4.427, Clamp 4.426

Fixing pivot **4.427.001, 4.427.002**



	D1	D2	D	L	L1	L2	L3	H	F
4.427.001	M12 x 1,5	M6	ø6	42	20	8	8	6	1 x 45°
4.427.002	M10 x 1	M4	ø5	37	17	7	7	5,6	0,7 x 45°

CATALOGUE NO.	COMPONENTS	MATERIAL
4.427.001	Nut	Steel - oxidized
4.427.002	Housing	
	Pin	
	Cir clip	



Complete clamp has a screw M5x8

CATALOGUE NO.	MATERIAL
4.426.001	Steel zinc plated