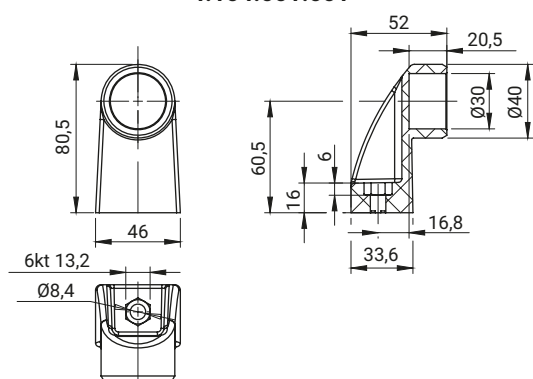


* Tubular profile can be ordered in other dimensions.
** holder (4.104.001.001, 4.104.001.002) of the profile ordered separately.

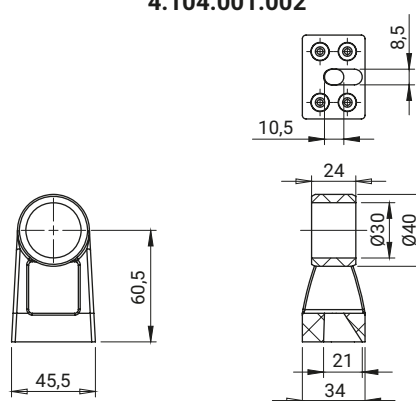
| CATALOGUE NO. | L | L1 | COMPONENTS | MATERIAL | FINISH [C] | |
|---------------|-----|-------|-----------------|-----------|------------|----------|
| | | | | | NO COATING | RAL 9005 |
| 4.104.001.200 | 200 | 166,5 | Tubular profile | Aluminium | 00 | 04 |
| 4.104.001.300 | 300 | 266,5 | | | | |
| 4.104.001.400 | 400 | 366,5 | | | | |
| 4.104.001.500 | 500 | 466,5 | | | | |

How to order:
 Catalogue number: 4.104.001.300 — 04
 Finish [C]: 04

4.104.001.001



4.104.001.002



4.104.001



4.104.002

| CATALOGUE NO. | COMPONENTS | MATERIAL | FINISH [C] |
|---------------|---------------------|----------|------------|
| | | | RAL 9005 |
| 4.104.001.001 | External holder | PA6 GF30 | 07 |
| 4.104.001.002 | Through-hole holder | | |