

* It is possible to order the tube profile in another dimension.

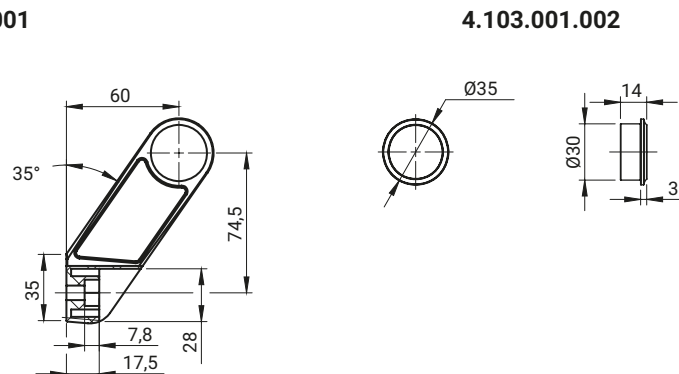
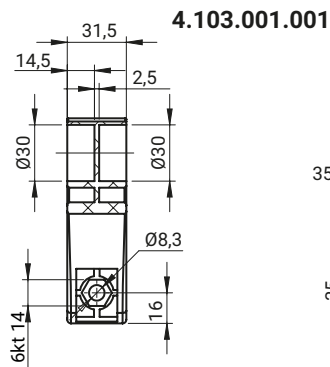
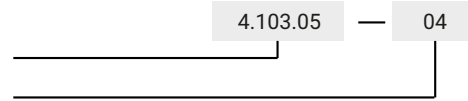
** Grip and cap (4.103.001.001, 4.103.001.002) of the profile ordered separately.

CATALOGUE NO.	L	L1	COMPONENTS	MATERIAL	FINISH [C]	
					NO COATING	RAL 9005
4.103.05	200	197,5	Tubular profile	Aluminium	00	04
4.103.06	300	297,5				
4.103.07	400	397,5				
4.103.08	500	497,5				

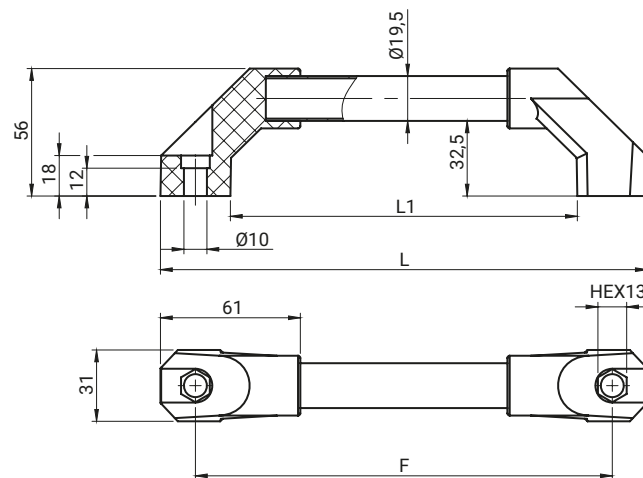
How to order:

Cat. number

Finish [C]



CATALOGUE NO.	COMPONENTS	MATERIAL	FINISH [C]
			RAL 9005
4.103.001.001	Handle	Polyamide PA6	07
4.103.001.002	Blinder cap		



CATALOGUE NO.	DIMENSION			MATERIAL	HOLDER FINISH [C]
	F	L	L1		RAL 9005
4.441.001	200	233	172	Holder - Polyamide	07
4.441.002	300	324	254		
4.441.003	400	424	354	Handle - Aluminium	07
4.441.004	500	524	454		