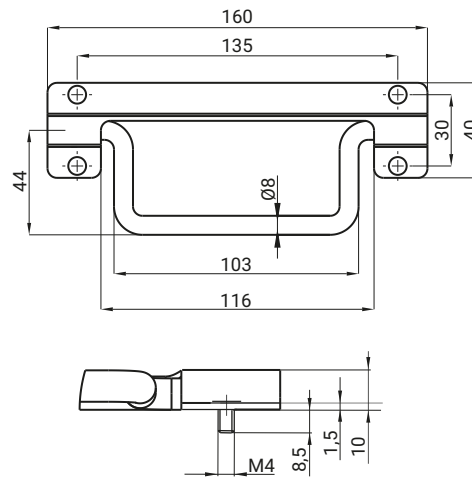


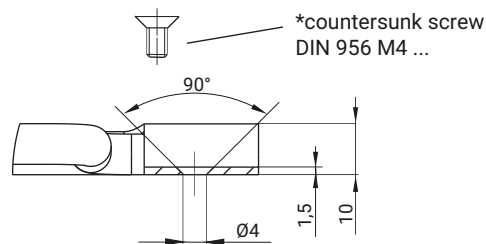
# Metal handle 4.442

## Drawer handle 4.443

### Metal handle 4.442



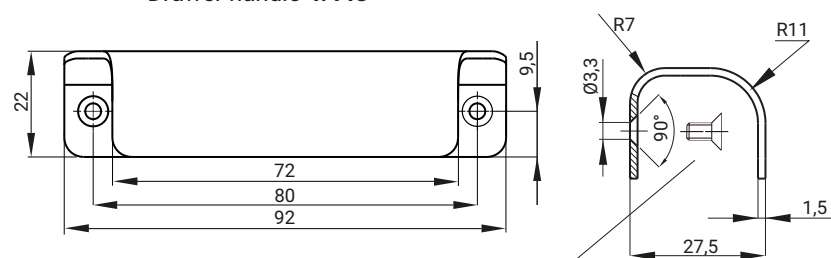
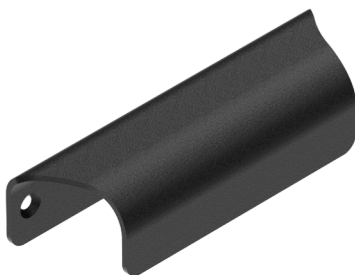
CATALOGUE NO.	COMPONENTS	MATERIAL
4.442.001	Holder, Base	Stainless steel
4.442.003	Holder, Base	Steel zinc plated



\* not included in the handle

CATALOGUE NO.	COMPONENTS	MATERIAL
4.442.002	Holder, Base	Stainless steel
4.442.004	Holder, Base	Steel zinc plated

### Drawer handle 4.443



\*countersunk screw  
DIN 965 M3 x ...

\* not included in the handle

CATALOGUE NO.	COMPONENTS	MATERIAL	FINISH [C]	
			RAL 9005	RAL 7035
4.443.001	Holder	Steel zinc plated	04	05
4.443.002	Holder	Stainless steel	-	-

#### How to order:

Catalogue number

Finish

