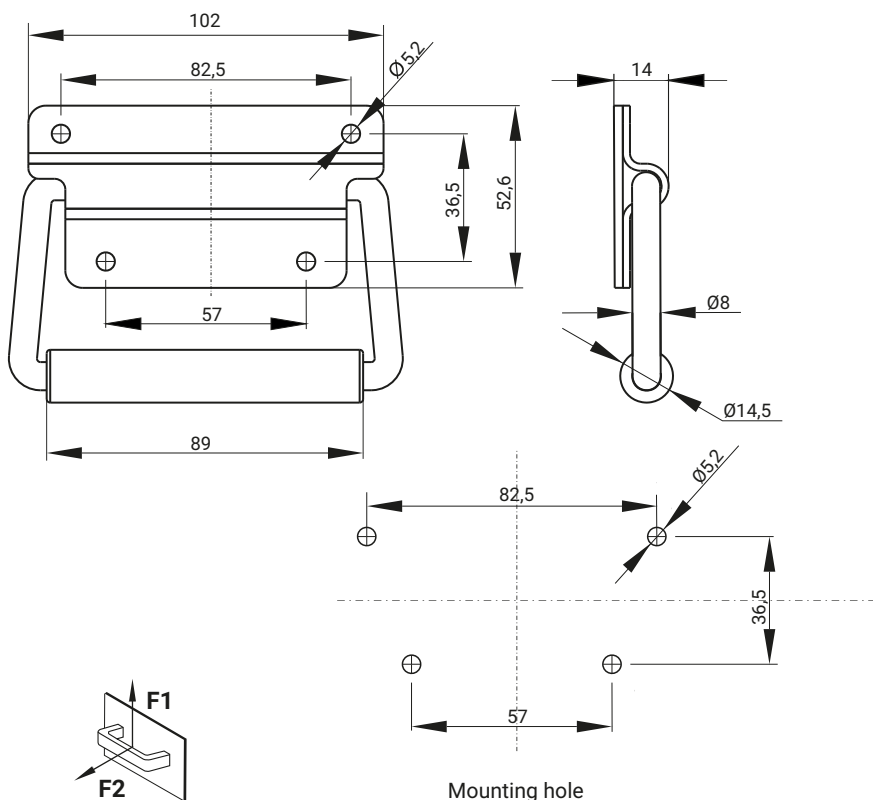


CATALOGUE NO.	COMPONENTS	MATERIAL
4.444.003	Holder, Base	Stainless steel

CATALOGUE NO.	F1max, N	F2max, N	F1, N	F2, N
4.444.003	8000	16500	3500	7750

F1max, F2max - Forces at which the grips fail  
F1, F2 - Forces at which handles begin to deform plastically



CATALOGUE NO.	COMPONENTS	MATERIAL
4.444.004	Holder, Base, Spring	Steel zinc plated

CATALOGUE NO.	F1max, N	F2max, N	F1, N	F2, N
4.444.004	2000	16510	420	5060

F1max, F2max - Forces at which the grips fail  
F1, F2 - Forces at which handles begin to deform plastically