

HANDLE CAT. NO
4.439.001

MOUNTING SCREW		*DIN 7984 M6
		*DIN 912 M6
		*DIN 933 M6

FORCE DIRECTION	DESTRUCTIVE FORCE F_{max}	MAX. WORKING LOAD [N]
Force F_1	2260	750
Force F_2	7380	2810

* not included in the scope of delivery
 $F1_{max}, F2_{max}$ - Forces at which the grips fail
 $F1, F2$ - Forces at which handles begin to deform plastically

CATALOGUE NO.	L	F	f1	H	h1	d	E	COMPONENTS	MATERIAL
4.439.001	150	177	132	54	42	6,5	27	Handle	Polyamide PA6 GF30 RAL 9005

Note: handle colors on request

How to order:

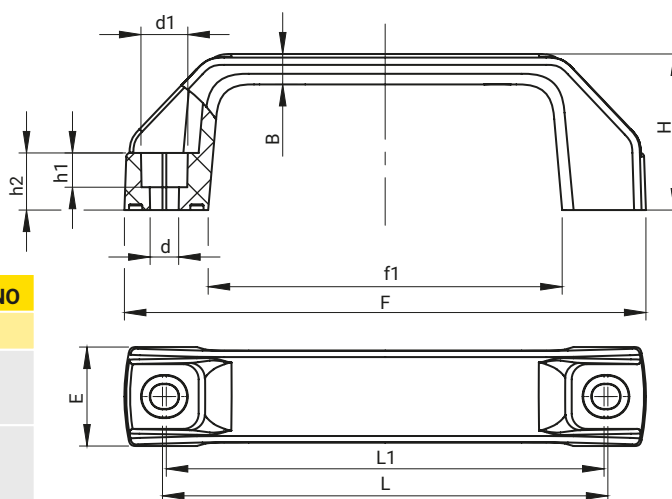
Catalogue number

Plug color

4.439.001 — C



PLUG COLORS [C]	
01	black
02	blue
03	red
04	green
05	yellow
06	grey



HANDLE CAT. NO	HANDLE CAT. NO
4.449.001	4.449.002

MOUNTING SCREW		*DIN 7984 M6	*DIN 7984 M8
		*DIN 912 M6	*DIN 912 M8

* not included in the scope of delivery

CATALOGUE NO.	L	L1	F	f1	H	h1	h2	d	d1	E	B	MATERIAL	FINISH [C]
													RAL 9005
4.449.001	117	115	134	90	42	8,5	15	7,5	12	26	7,5	PA6 GF30	07
4.449.002	113	115	135	91	42	8,5	15	9,5	15	26	7,5	PA6 GF30	07

CATALOGUE NO.	F1max, N	F2max, N	F1, N	F2, N
4.449.001	2500	5420	620	2710
4.449.002	4360	8200	1220	3500

$F1_{max}, F2_{max}$ - Forces at which the grips fail
 $F1, F2$ - Forces at which handles begin to deform plastically

