

Note: handle colors on request

Handle PA 4.444.001



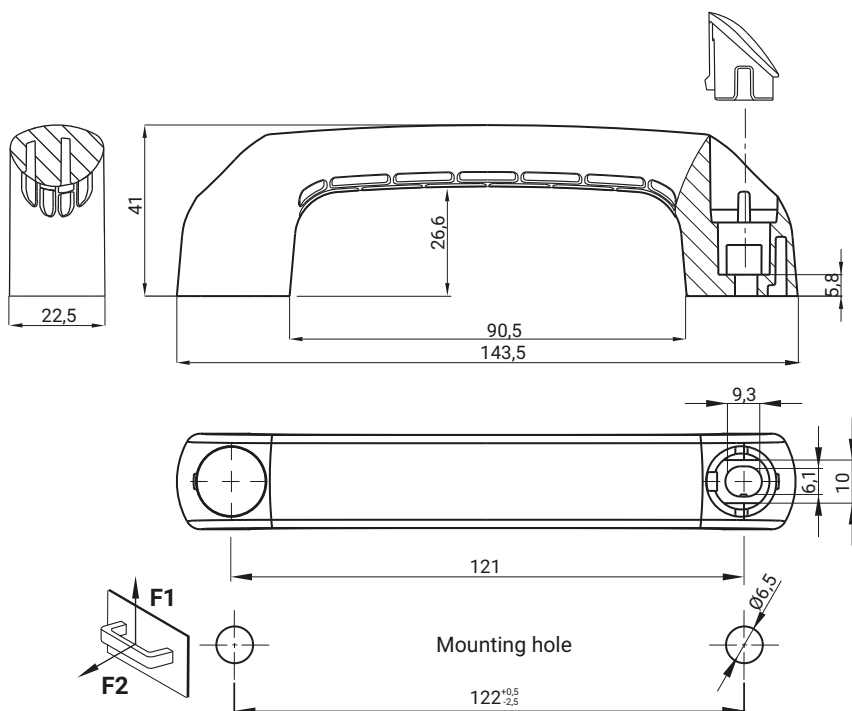
PLUG COLORS [C]

01	black
02	blue
03	red
04	green
05	yellow
06	grey

CATALOGUE NO.	MATERIAL	LOAD CAPACITY
4.444.001	Polyamide PA6 GF30 RAL 9005	54 kg

CATALOGUE NO.	F1max, N	F2max, N	F1, N	F2, N
4.444.001	1600	4000	1000	1300

F1max, F2max - Forces at which the grips fail
F1, F2 - Forces at which handles begin to deform plastically



Note: handle colors on request

Handle PA 4.444.002



PLUG COLORS [C]

01	black
02	blue
03	red
04	green
05	yellow
06	grey

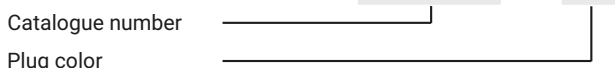
Construction design allows to mount the handle into the holes with a spacing of 120mm

CATALOGUE NO.	MATERIAL	LOAD CAPACITY
4.444.002	Polyamide PA6 GF30 RAL 9005	54 kg

CATALOGUE NO.	F1max, N	F2max, N	F1, N	F2, N
4.444.002	4300	9250	3100	4100

F1max, F2max - Forces at which the grips fail
F1, F2 - Forces at which handles begin to deform plastically

How to order:



	4.444.001 M5	4.444.002 M6
Mounting screws		DIN 933
		DIN 7984
		DIN 965
		DIN 84