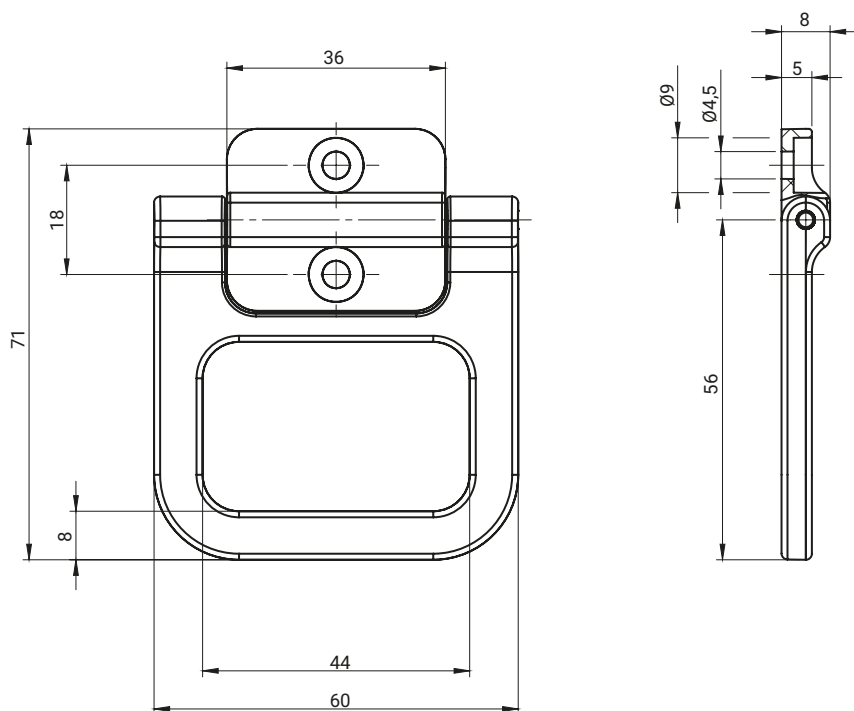


CATALOGUE NO.	DETAL	MATERIAL	FINISH [C]	
4.250.001	Handle	ZAMAK 5	Chrome	01
			Brass	12
			No coating	0



CATALOGUE NO.	COMPONENTS	MATERIAL	FINISH [C]
4.444.005	Holder, Base	Polyamide	07
	Pin	Steel zinc plated	-

CATALOGUE NO.	F1max, N	F2max, N	F1, N	F2, N
4.444.005	1250	1070	540	560

F1max, F2max - Forces at which the grips fail
F1, F2 - Forces at which handles begin to deform plastically

