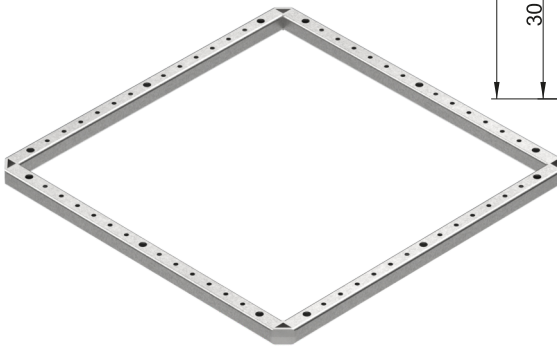
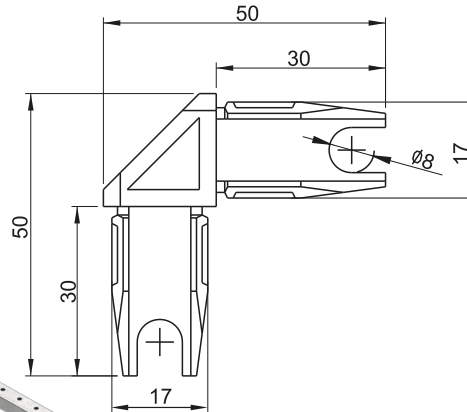
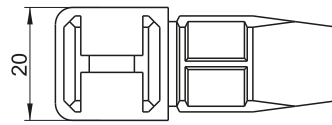


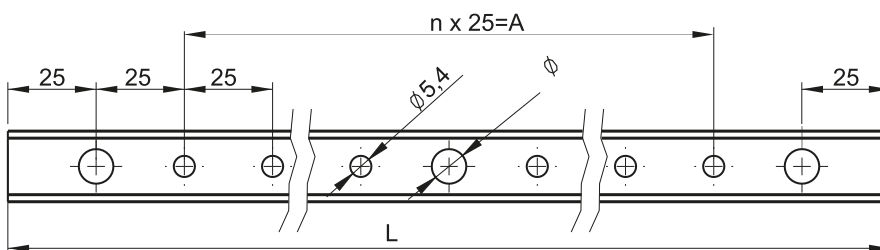
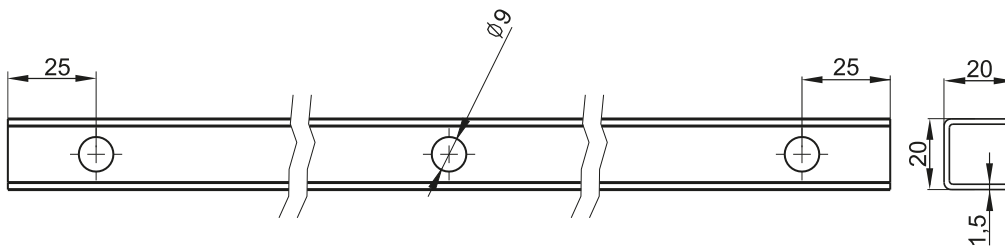
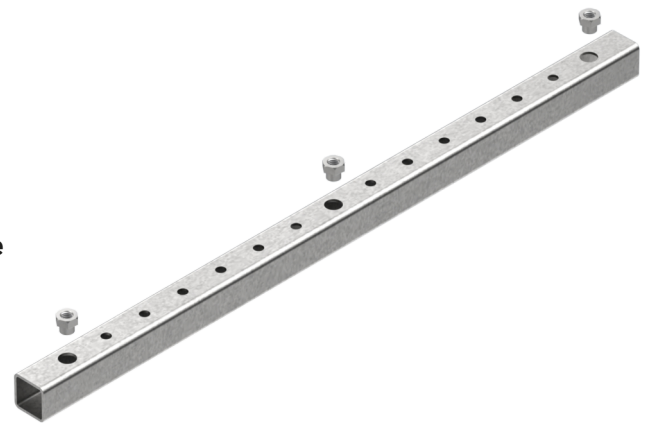
# Frame connector 4.422

## Profile 4.450

### Frame connector 4.422.001



### Profile



CATALOGUE NO.	MATERIAL	NAME	DIMENSION L	
4.422.001	Zamak-zinc plated	Frame connector	-	-
4.422.002	Steel zinc plated	Nut M6x	-	-
4.450.01.1850	Steel zinc plated	Profile	1850	70 x 25 = 1750
4.450.01.1650			1650	62 x 25 = 1550
4.450.01.1450			1450	54 x 25 = 1350
4.450.01.1050			1050	38 x 25 = 950
4.450.01.0600			600	20 x 25 = 500
4.450.01.0400			400	12 x 25 = 300