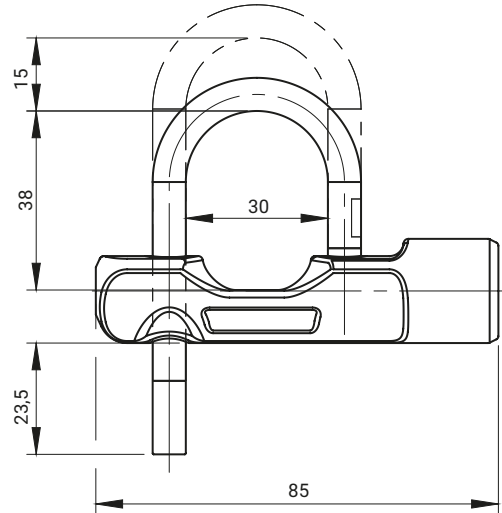
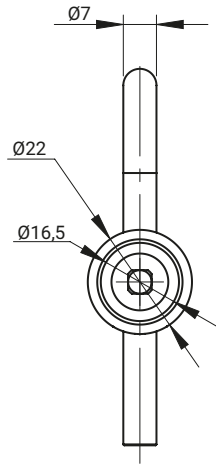


NEW



MATERIAL FOR INSERT [D]	INSERTS [X]			
Steel zinc plated	T9	KW8	KW6	C9
	03			
CATALOGUE NO.	NAME	MATERIAL	FINISH [C]	
4.KDZN.007	Padlock KDZN	ZAMAK 5	Zinc plated	
	Padlock device	Steel	Zinc plated	

How to order:

