

Door bockade 4.401.30X Telescopic blockade 4.401

Info

1 | Locking systems

2 | Locks | Latches

3 | Hinges

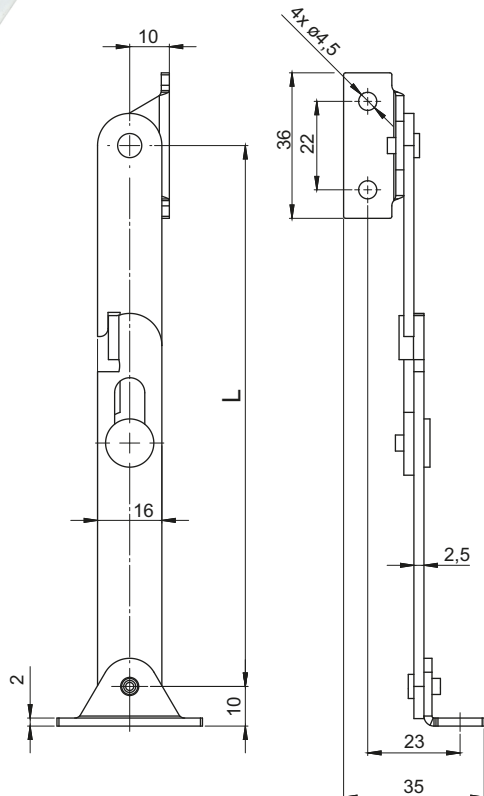
4 | Screw clamps

5 | Accessories

6 | Gasketing profiles

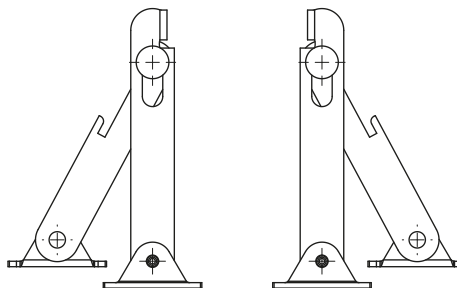
7 | Custom products

Index

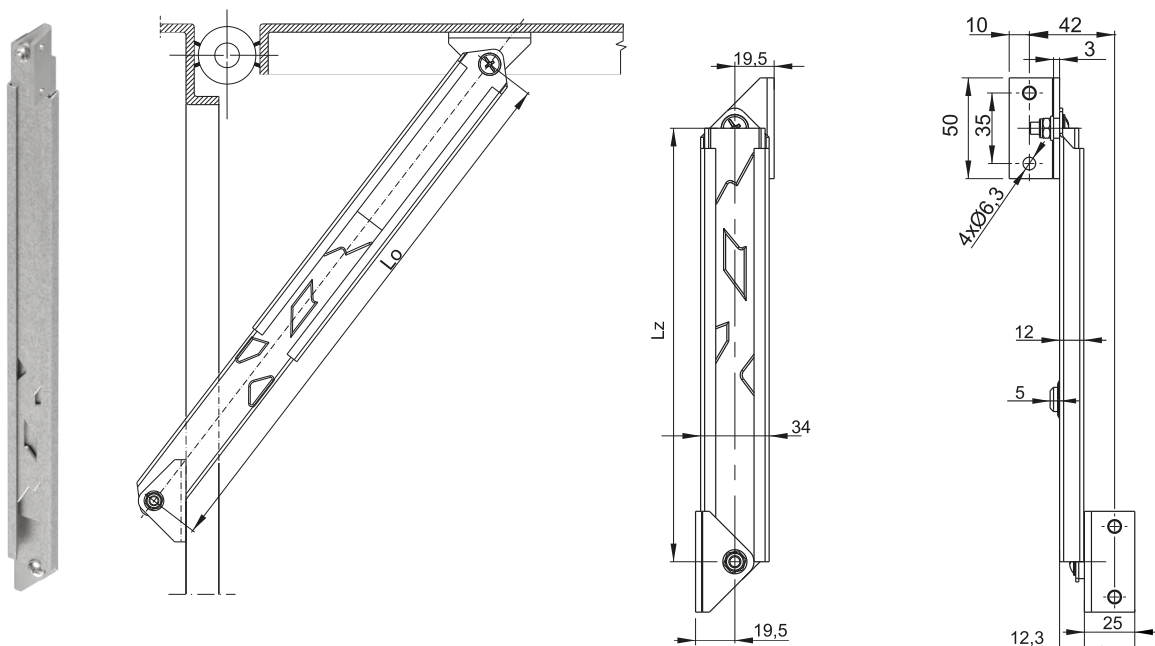


Left version

Right version



CATALOGUE NO.	VERSION	L	MATERIAL
4.401.301	Right	290	Steel zinc plated
4.401.301SN			Stainless steel
4.401.302	Left	290	Steel zinc plated
4.401.302SN			Stainless steel
4.401.303	Right	202	Steel zinc plated
4.401.303SN			Stainless steel
4.401.304	Left	202	Steel zinc plated
4.401.304SN			Stainless steel
4.401.305	Right	135	Steel zinc plated
4.401.305SN			Stainless steel
4.401.306	Left	135	Steel zinc plated
4.401.306SN			Stainless steel



CATALOGUE NO.	NAME	MATERIAL	Lz - closed	Lo - open
4.401.101	Telescopic blockade	Steel zinc plated	215	335
4.401.102	Telescopic blockade		395	695