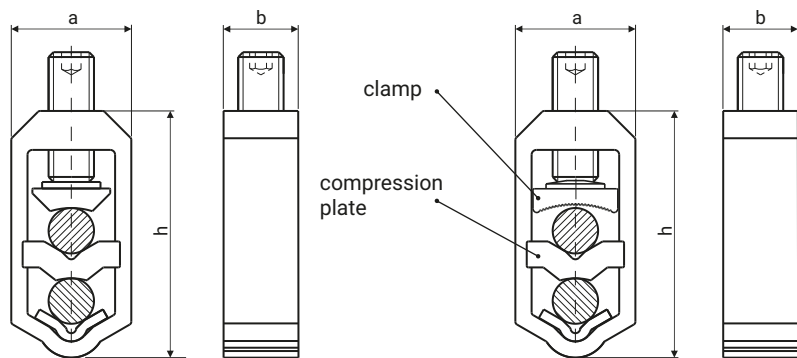


Screw clamps v-klema type

Double aluminium

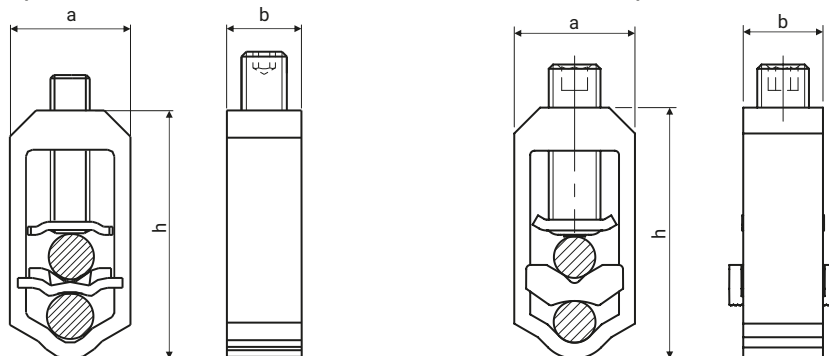
2/25-120SW
2/50-240SW
2/25-120SW-D
2/50-240SW-D

2/70-300SW
2/70-300SW-E



2/25-120SW-B
2/35-300SW-B

2/25-120SW-B
2/25-120SW-E



- sm** - multiwire sector shaped conductor (flexible) **rm** - round multiwire conductor (flexible)
- se** - sector shaped conductor (rigid) **re** - round conductor (rigid)

DETAIL	CROSS-SECTION [mm ²]				NOMINAL CROSS-SECTION [mm ²]	MAX TIGHTENING TORQUE[Nm]	DIMENSIONS		
	sm	se	rm	re			a	b	h
2/25-120SW	25-120	25-120	16-95	16-95	95	20	28	18	58
2/50-240SW	35-185	35-240	35-120	35-150	150	30	37	23	76
2/70-300SW	70-240	95-300	50-120	70-150	150	30	35	23	76
2/25-120SW-B	25-120	25-120	16-95	16-95	95	20	28	18	58
2/35-300SW-B	50-240	50-240	35-300	50-150	150	30	37	23	76
2/25-120SW-D	25-120	25-120	16-95	16-95	95	20	28	18	58
2/50-240SW-D	35-185	35-240	35-120	35-150	150	30	37	23	76
2/70-300SW-E	70-240	95-300	50-120	70-150	150	30	37	23	76
2/25-120SW-E	25-120	25-120	16-95	16-95	95	20	28	18	58

	2/25-120SW	2/50-240SW	2/70-300SW	2/25-120SW-B	2/35-300SW-B
Clamp	Brass- zinc plated			Spring steel zinc-plated	
Compression plate	Brass- zinc plated			Spring steel zinc-plated	
Housing	Aluminium (AlMgSi)				
Screw	Steel zinc-plated				
	2/25-120SW-D	2/50-240SW-D	2/70-300SW-E	2/25-120SW-E	
Clamp	Brass- zinc plated	ZAMAK tin-plated	Brass- zinc plated	Spring steel zinc-plated	
Compression plate	ZAMAK tin-plated				
Housing	Aluminium (AlMgSi)				
Screw	Steel zinc-plated				

* SW - hexagon head socked
* Screw clamps conform to EN 60947-7-1 (IEC 60947-7-1)