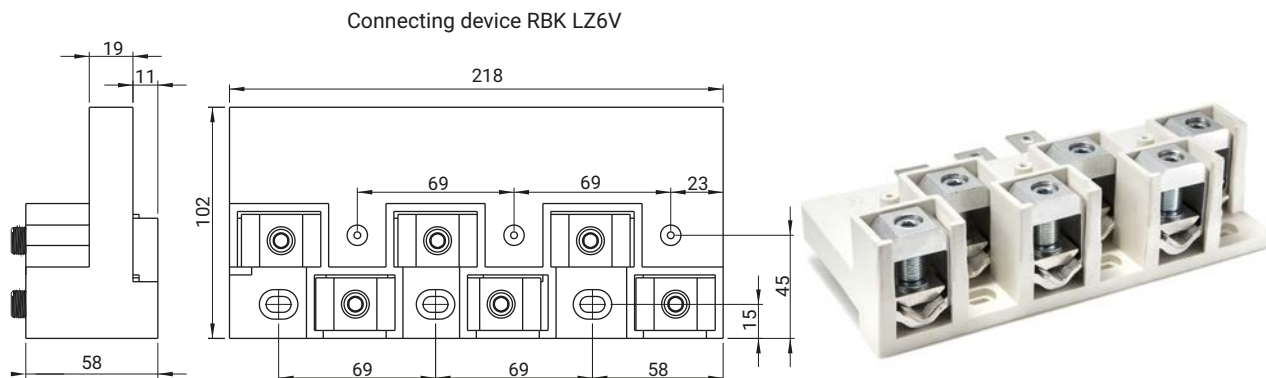
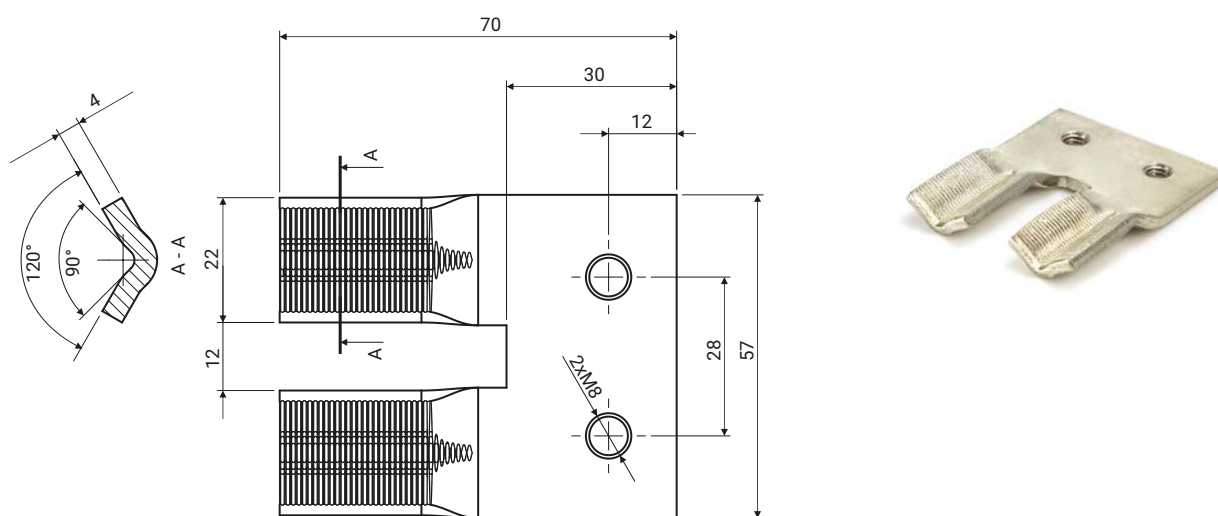


Connecting device RBK LZ6V Terminal 4.603



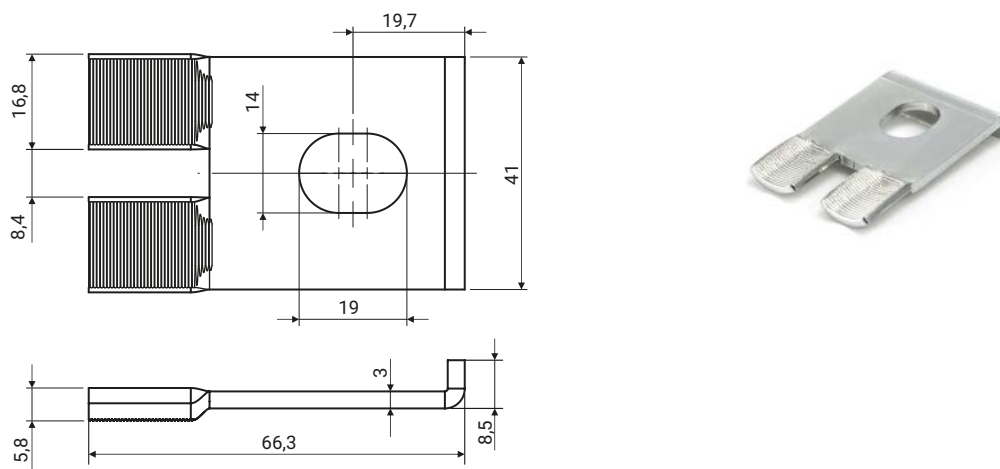
Terminals for connecting device 4.601.001

CATALOGUE NO.	NAME	MATERIAL
4.601.001	Connecting device LZ6V	Polyamide PA6 - colour white



Terminal is dedicated to clamps pg.: 4-1 (in main catalogue) except 25-120 SW, 25-120 SW-B; 4-2 except 2,25-120 SW, 2/25-120 SW-B; 4-7; 4-8.

CATALOGUE NO.	DETAIL	MATERIAL
4.603.003	Terminal	Tin-plated copper



Terminal is dedicated to clamps HS 10-95 (pg. 4-6 in main catalogue)

CATALOGUE NO.	DETAIL	MATERIAL
4.603.004	Terminal	Steel zinc plated