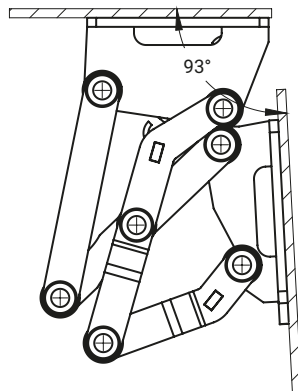
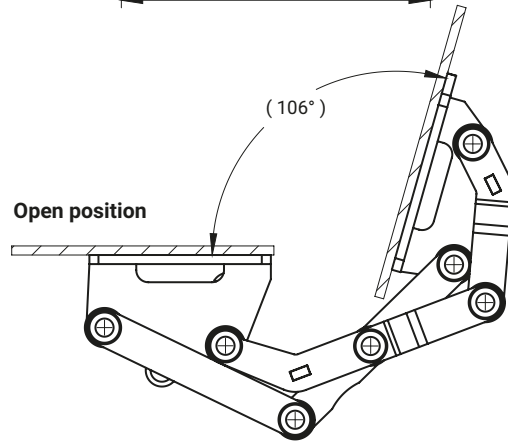


Closed position



Open position



All hinge pivot axes are supported by slide bearings

CATALOGUE NO.	VERSION	MATERIAL
3.ST307.001	Right	Stainless steel