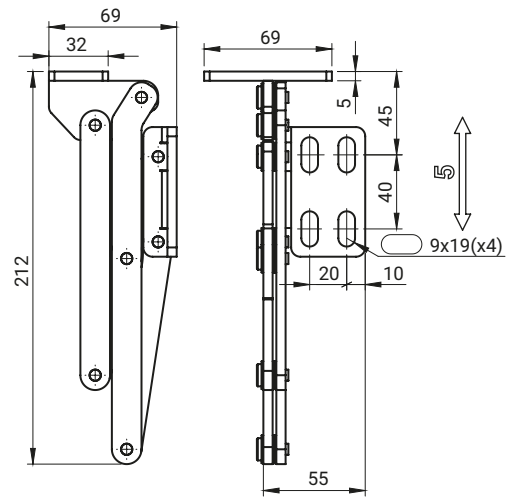
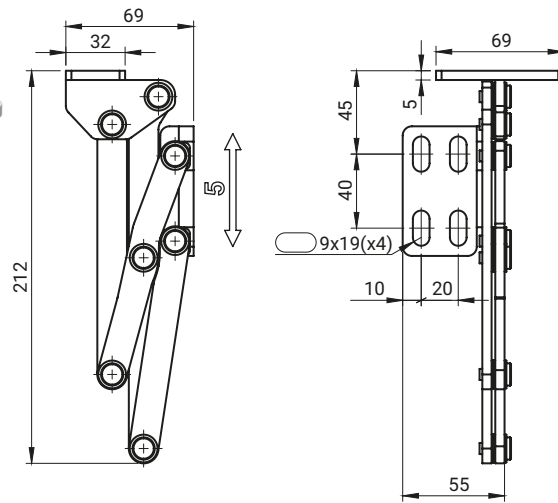
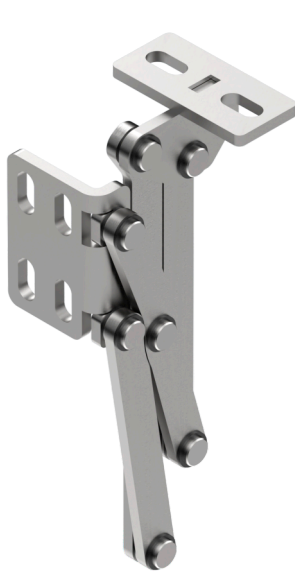


Hinge 3.ST305

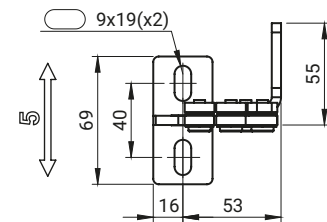
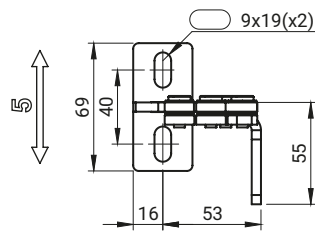


3.ST305.001

3.ST305.002

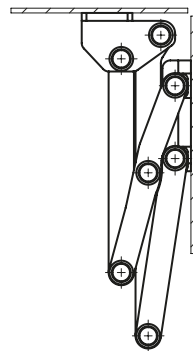


3.ST305.001

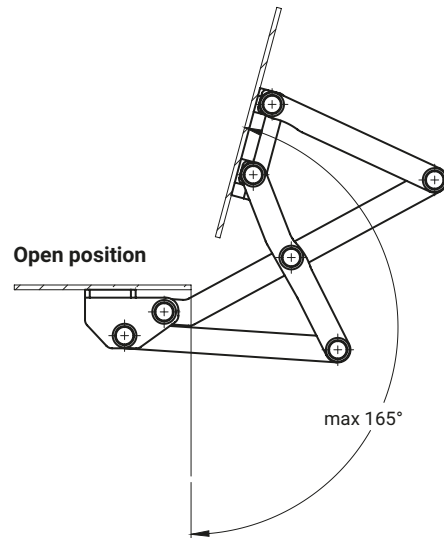


3.ST305.002

Closed position



Open position



All hinge pivot axes are supported by slide bearings

CATALOGUE NO.	VERSION	MATERIAL
3.ST305.001	Right	Stainless steel
3.ST305.002	Left	