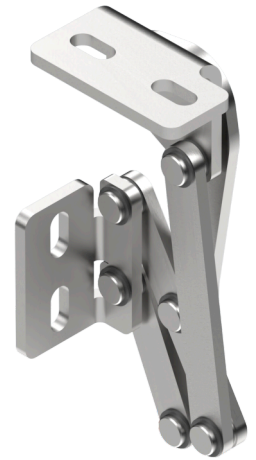
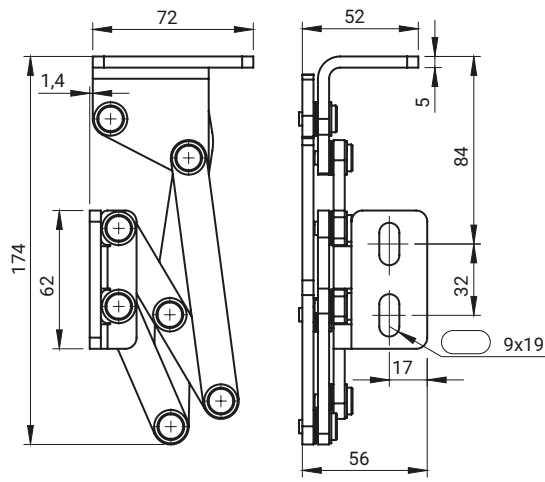
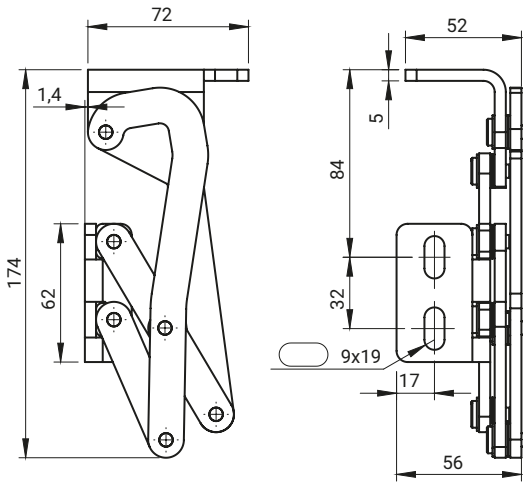


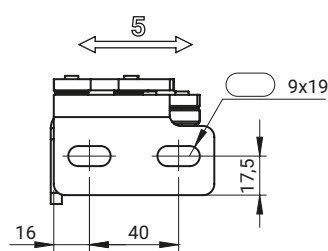
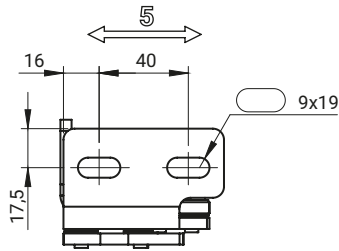


3.ST304.001

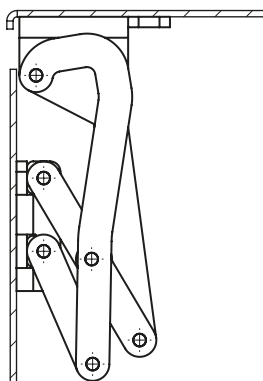
3.ST304.002



3.ST304.001

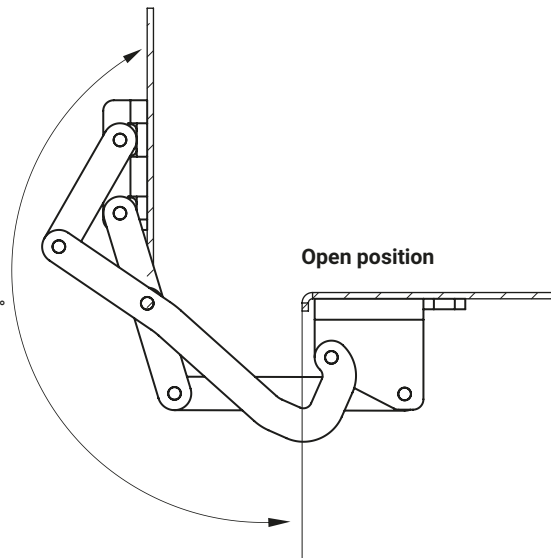


Closed position



max 180°

Open position



3.ST304.002

All hinge pivot axes are supported by slide bearings

CATALOGUE NO.	VERSION	MATERIAL
3.ST304.001	Right	Stainless steel
3.ST304.002	Left	