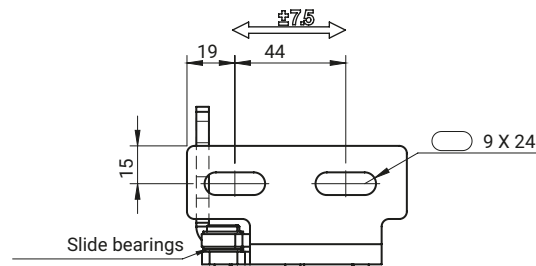
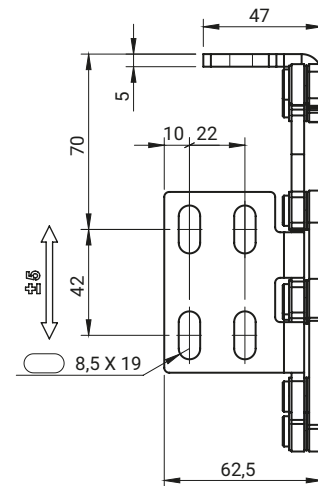
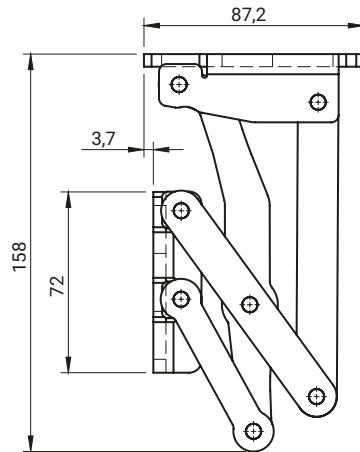
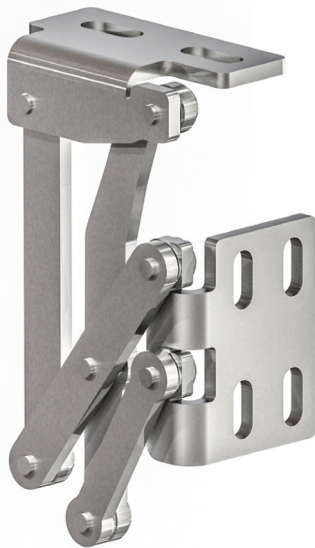
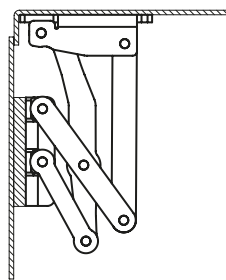


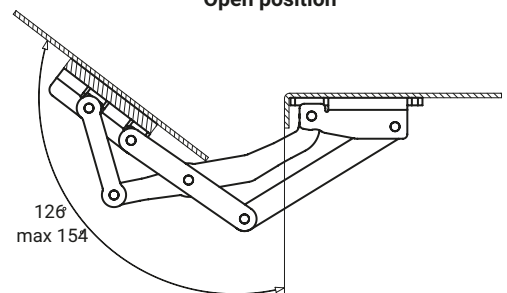
Hinge 3.ST301


3.ST301.001SN
 Right hinge

3.ST301.002SN
 Left hinge


Closed position



Open position



All hinge pivot axes are supported by slide bearings

CATALOGUE NO.	VERSION	MATERIAL
3.ST301.001SN	Right	Stainless steel
3.ST301.002SN	Left	