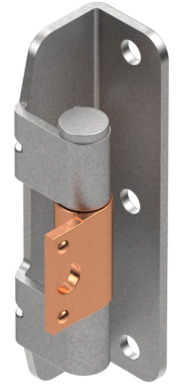
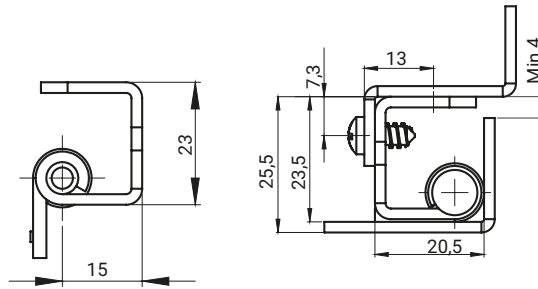
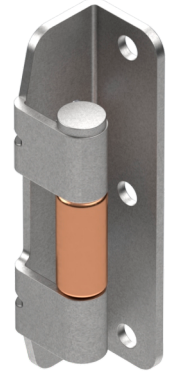
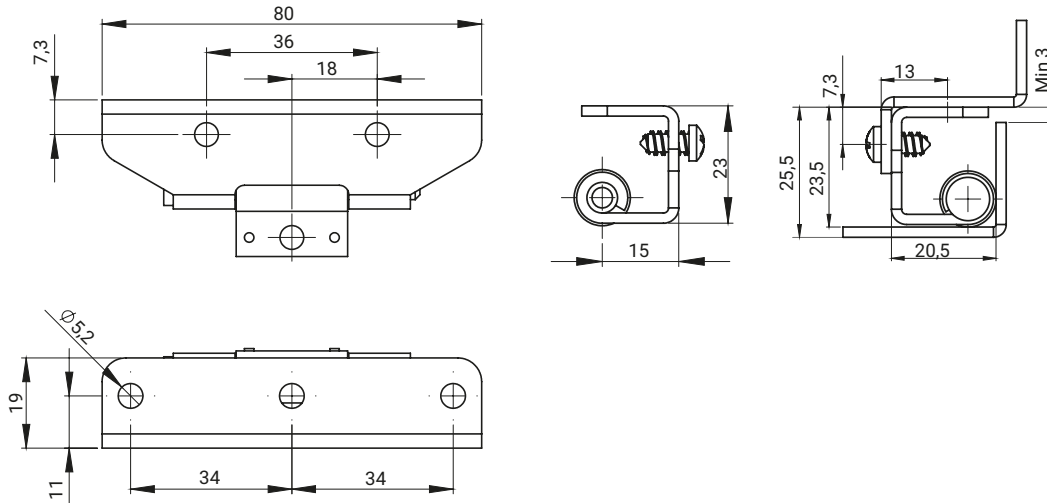


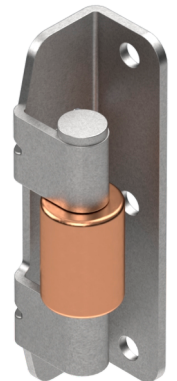
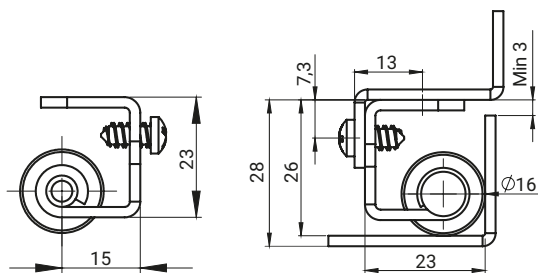
## 3.ST558 ver. 001



## 3.ST558 ver. 002



## 3.ST558 ver. 003



CATALOGUE NO.	COMPONENTS	MATERIAL
3.ST558.001	Base, pin	Steel zinc plated
	Holder	Steel copper plated
3.ST558.002	Base, pin	Steel zinc plated
	Collet	Steel copper plated
3.ST558.003	Base, pin	Steel zinc plated
	Collet	Steel copper plated