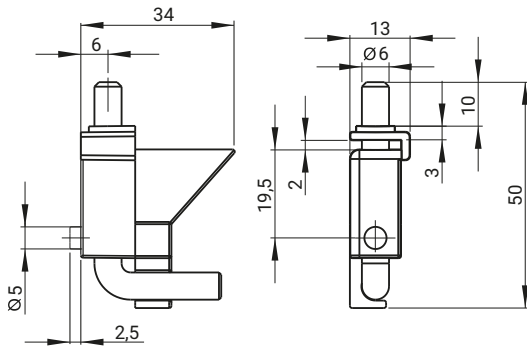
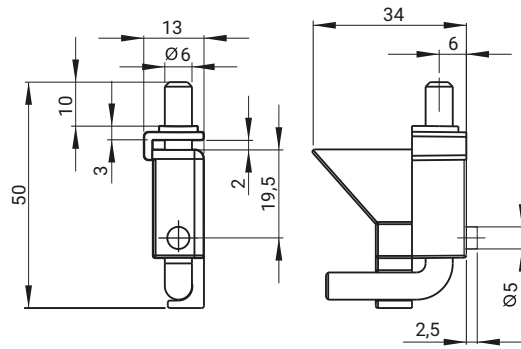


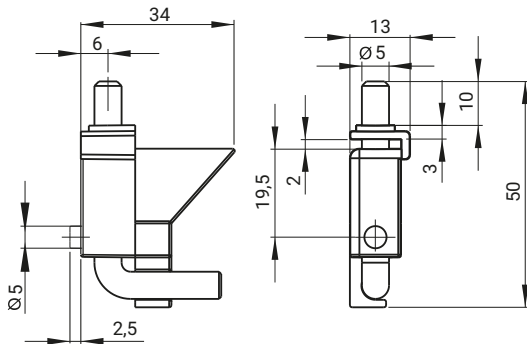
3.ST96.001



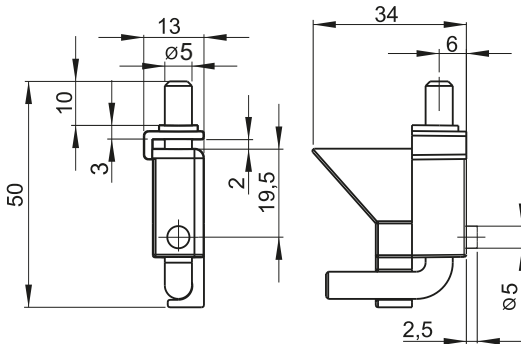
3.ST96.002



3.ST96.003

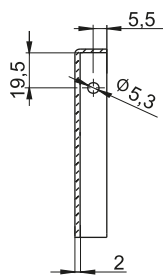


3.ST96.004

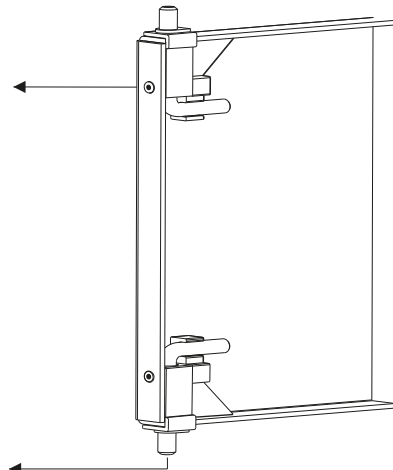
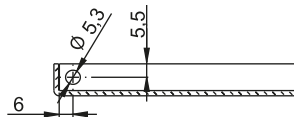
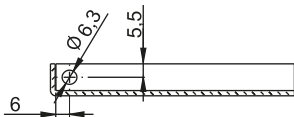
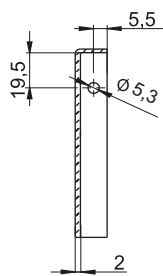


Mounting holes

3.ST96.001
3.ST96.002



3.ST96.003
3.ST96.004



CATALOGUE NO.	COMPONENTS	MATERIAL	FINISH [C]	
			RAL9005	RAL7035
3.ST96.001 3.ST96.002	Holder	PP	07	08
	Pin	Steel zinc plated		
3.ST96.003 3.ST96.004	Holder	PP	07	08
	Pin	Steel zinc plated		

How to order:

Catalogue number

Finish

3.ST96.001 — C