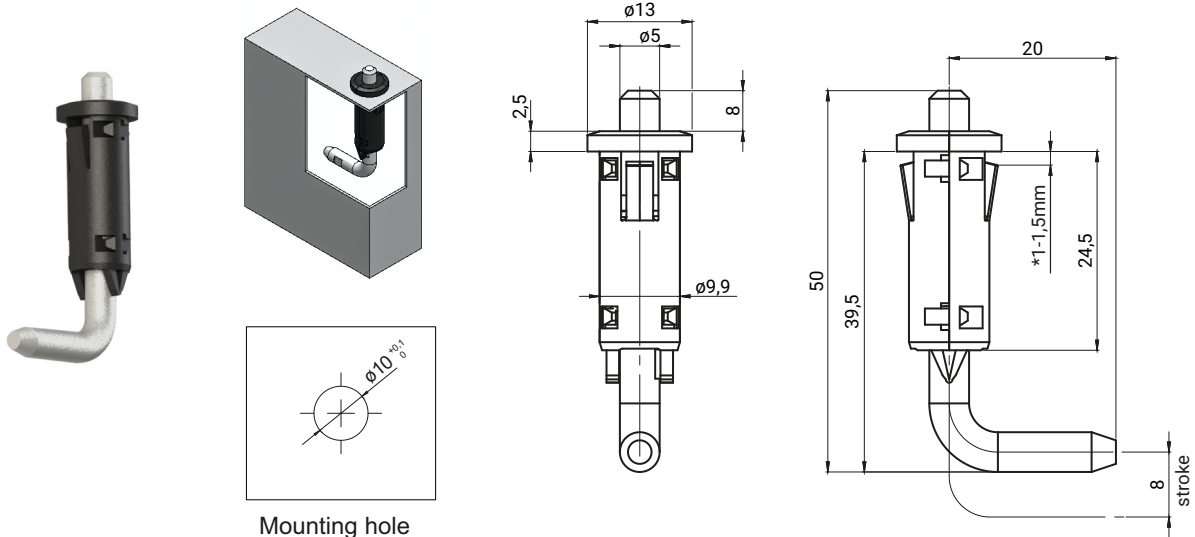


## Hinge 3.ST81, 3.ST84



Mounting hole

\* thickness of metal sheet

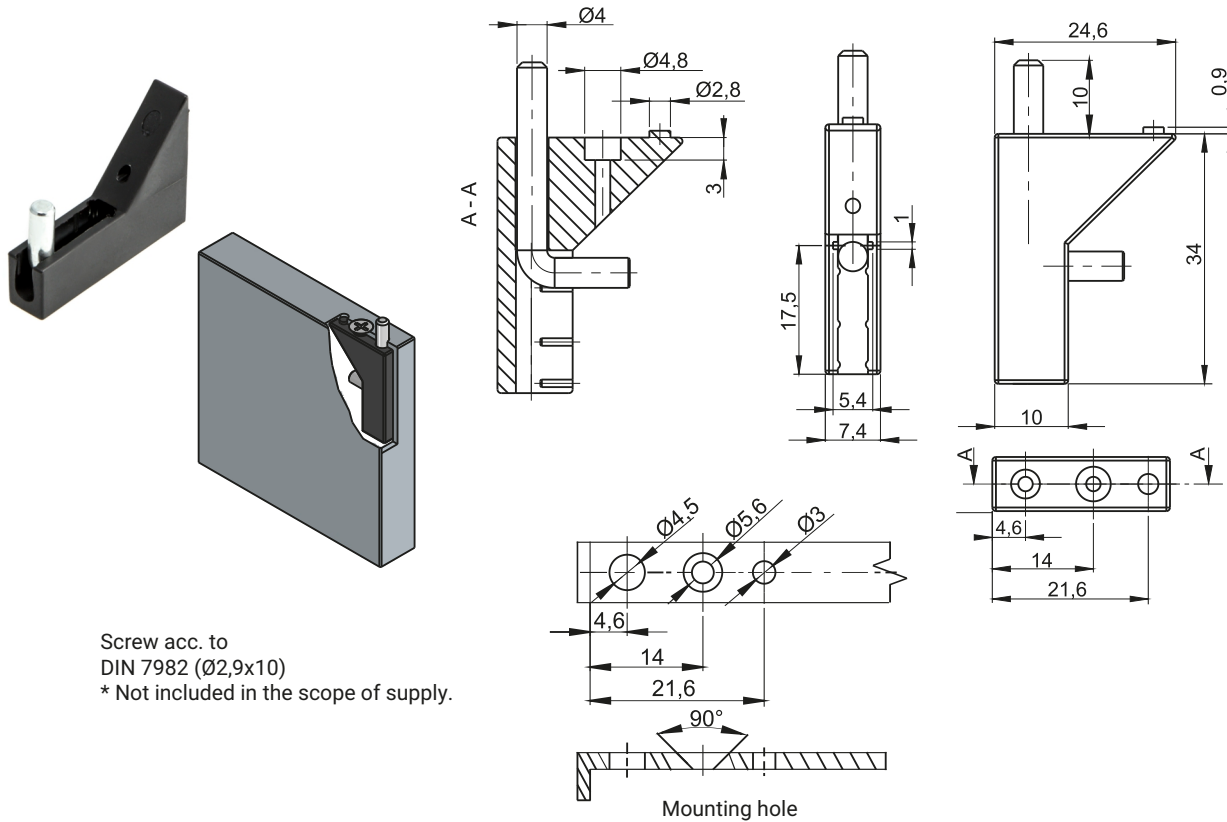
CATALOGUE NO.	COMPONENTS	MATERIAL	FINISH [C]	
			RAL 9005	RAL 9010
3.ST81.001	Housing	Polyamide		
	Pin	ZAMAK 5	07	11
	Spring	Steel		

## How to order:

Catalogue number

Finish

3.ST81.001 — C

Screw acc. to  
DIN 7982 (Ø2,9x10)

\* Not included in the scope of supply.

Mounting hole

CATALOGUE NO.	COMPONENTS	MATERIAL	FINISH [C]	
			RAL 9005	
3.ST84.001	Holder	Polyamide		
	Pin	Steel zinc plated	07	