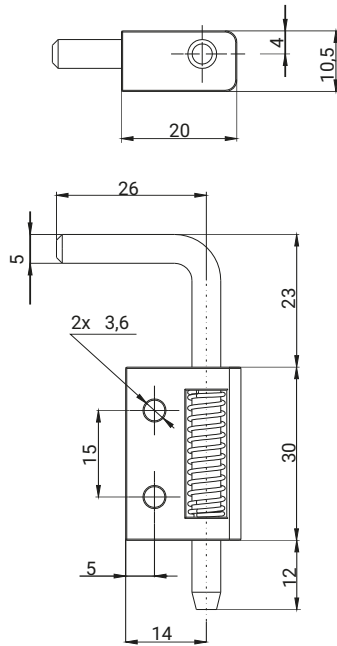
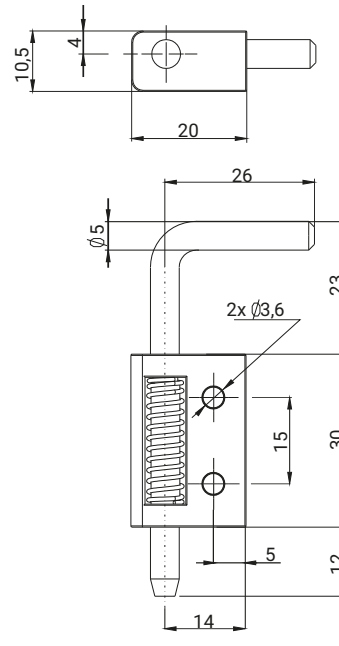
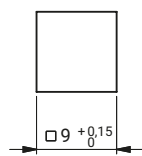
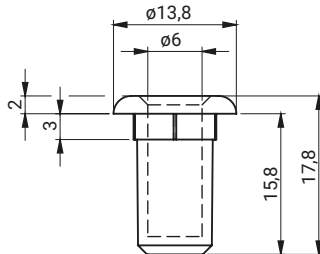


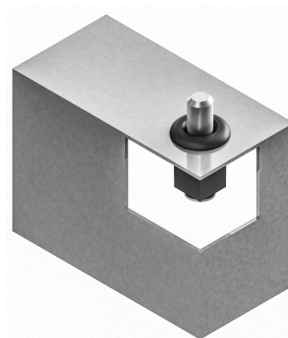
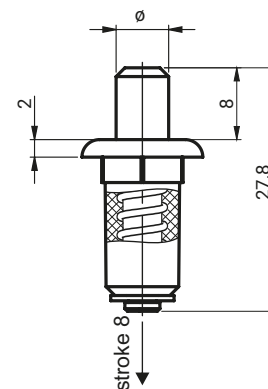
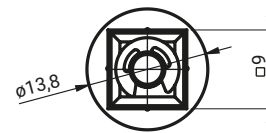
Hinge 3.ST94, 3.ST81, TA60

**3.ST94.001****3.ST94.002**

CATALOGUE NO.	COMPONENTS	MATERIAL	FINISH [C]
			RAL9005
3.ST94.001	Holder	Polyamide	07
3.ST94.002	Pin	Steel zinc plated	

**TA60**

Mounting hole

**3.ST81.100**
3.ST81.101

CATALOGUE NO.	ø [mm]	COMPONENTS	MATERIAL	FINISH [C]
				RAL9005
3.ST81.100	6	Housing	Polyamide PA6	07
		Pin	Steel zinc plated	
3.ST81.101	5	Spring	Spring steel zinc plated	
TA60	6	Bushing	Polyamide PA6	