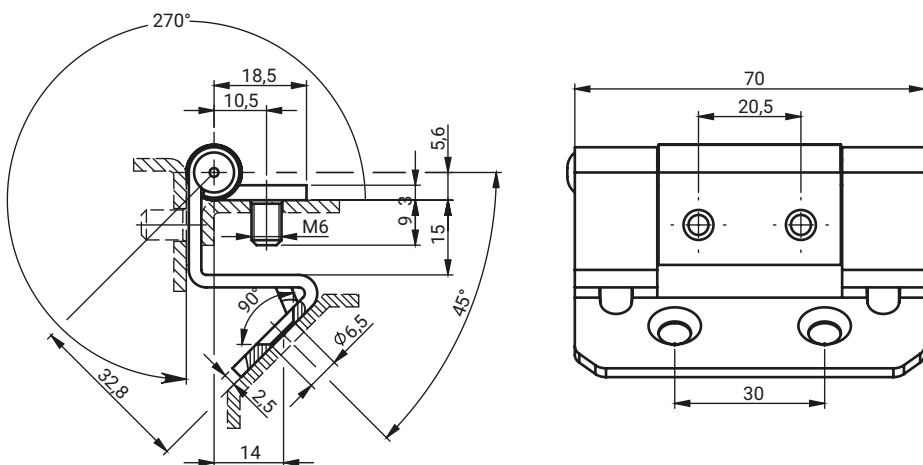


CATALOGUE NO.	COMPONENTS	MATERIAL
3.ST121.001	Holder, Base, Pin	Steel zinc plated
3.ST121.001SN	Holder, Base, Pin	Stainless steel



CATALOGUE NO.	COMPONENTS	MATERIAL
3.ST119.001	Holder, Base	Steel zinc plated
3.ST119.001SN	Pin	Stainless steel