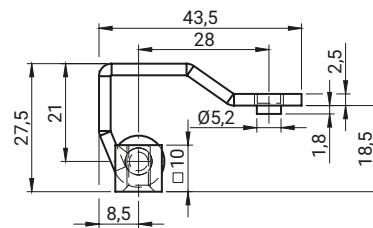
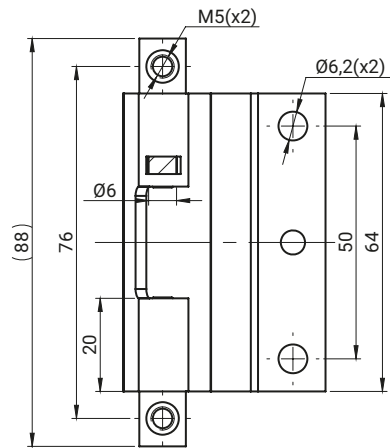
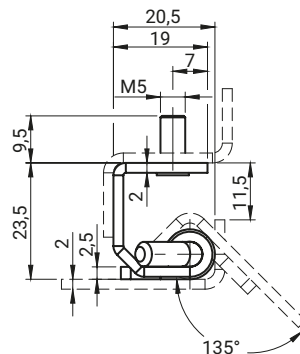
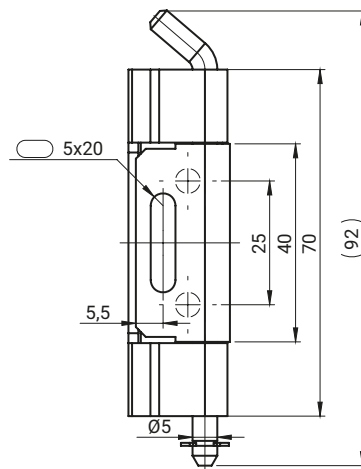


Hinge 3.ST40, 3.ST41


 stainless steel


CATALOGUE NO.	COMPONENTS	MATERIAL
3.ST40.001	Holder, Base, Pin	Steel zinc plated
3.ST40.001SN	Holder, Base, Pin	Sainless steel


 stainless steel


CATALOGUE NO.	COMPONENTS	MATERIAL
3.ST41.001	Base, Pin	Steel zinc plated
	Holder	Steel
3.ST41.001SN	Holder, Base, Pin	Sainless steel