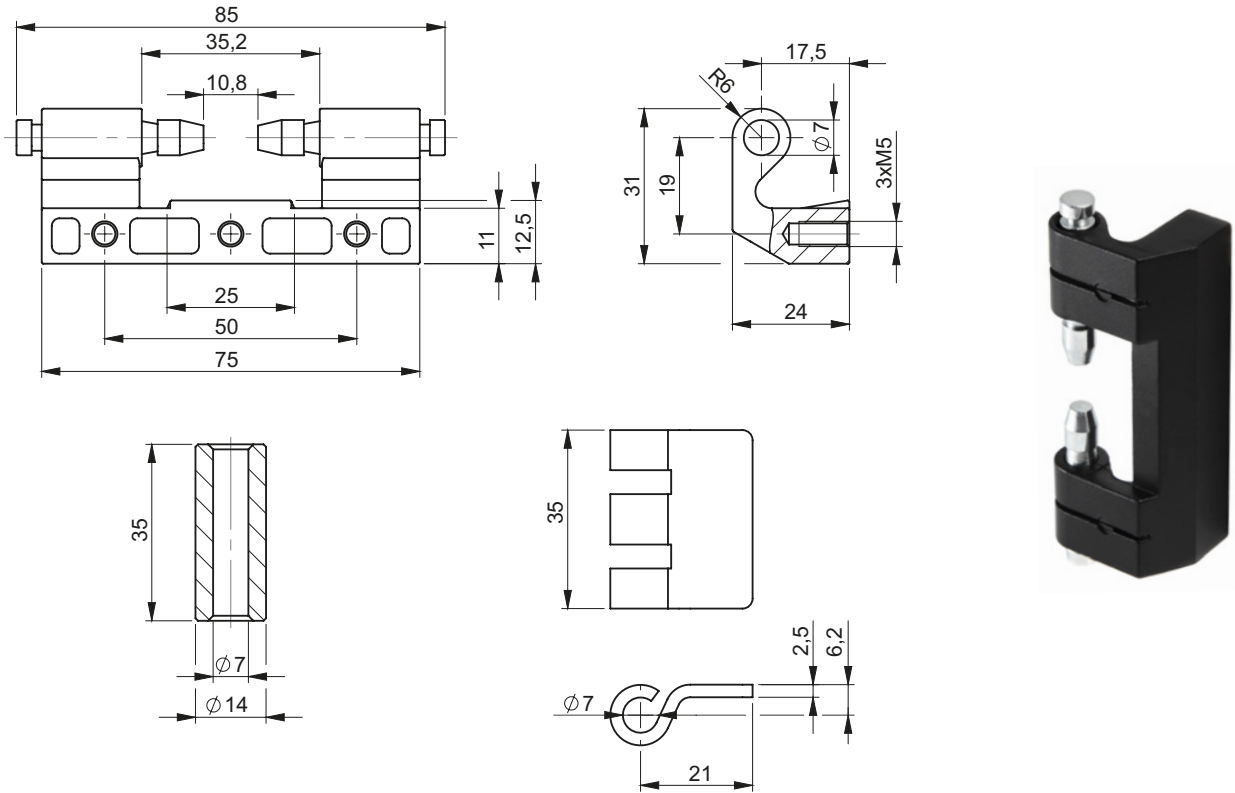


CATALOGUE NO.	COMPONENTS	MATERIAL	FINISH [C]
			RAL 9005
3.ST556.001	Holder	ZAMAK 5	04
	Base, Pin	Steel zinc plated	



3.ST557.001

3.ST557.002

CATALOGUE NO.	DETAIL	COMPONENTS	MATERIAL	FINISH [C]
				RAL 9005
3.ST557.001 3.ST557.002	ver. with a bushing	Base	ZAMAK 5	04
	ver. with a sheet metal	Holder, Pin	Steel zinc plated	