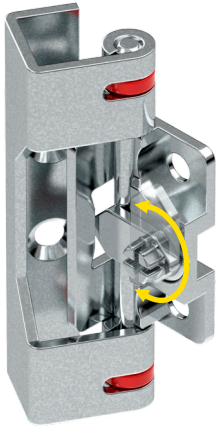
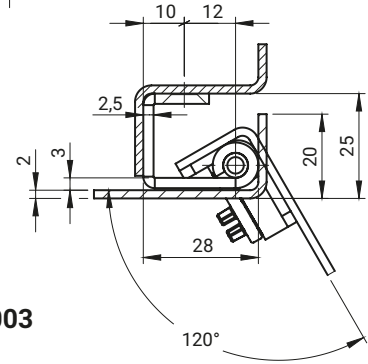
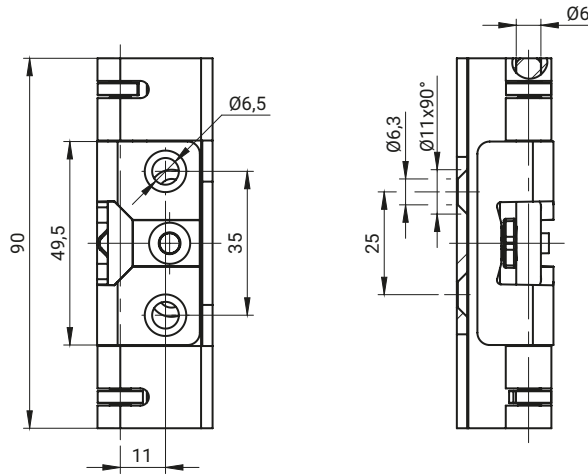




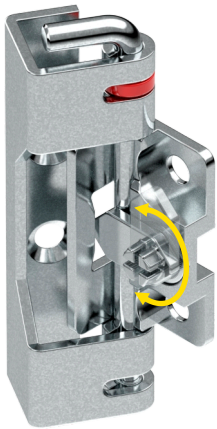
**3.ST147.001**



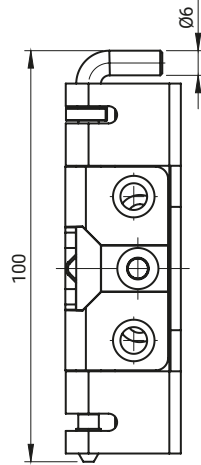
**3.ST147.001**



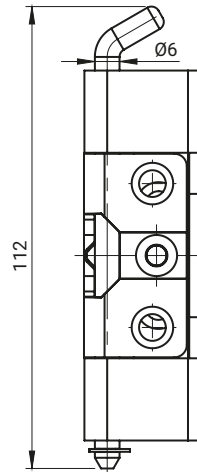
**3.ST147.002**



**3.ST147.002**



**3.ST147.003**



CATALOGUE NO.	COMPONENTS	MATERIAL
3.ST147.001 3.ST147.002	Base, Pin	Steel zinc plated
	Holder	ZAMAK 5
3.ST147.003	Blockade	POM
	Base, Pin	Steel zinc plated
	Holder	ZAMAK 5