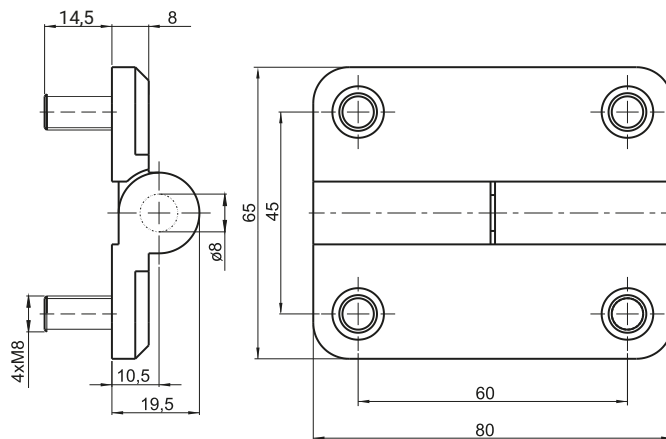


CATALOGUE NO.	COMPONENTS	MATERIAL	FINISH [C]	
			RAL 9005	04
3.ZN68.001*	Holder, Base	ZAMAK 5		
	Pin	Steel zinc plated		



**VERSION LEFT**  
3.ZN67.002  
3.ZN67.004

**VERSION RIGHT**  
3.ZN67.001  
3.ZN67.003



\* possibility to order stainless steel pin.

CATALOGUE NO.	COMPONENTS	MATERIAL	FINISH [C]	
			RAL 9005	RAL 7035
3.ZN67.001*	Holder, Base	ZAMAK 5		
3.ZN67.002*	Pin	Steel zinc plated	04	-
3.ZN67.003*	Holder, Base	ZAMAK 5		05
3.ZN67.004*	Pin	Steel zinc plated	-	

**How to order:**  
Catalogue number: 3.ZN67.001 — C  
Finish: \_\_\_\_\_