

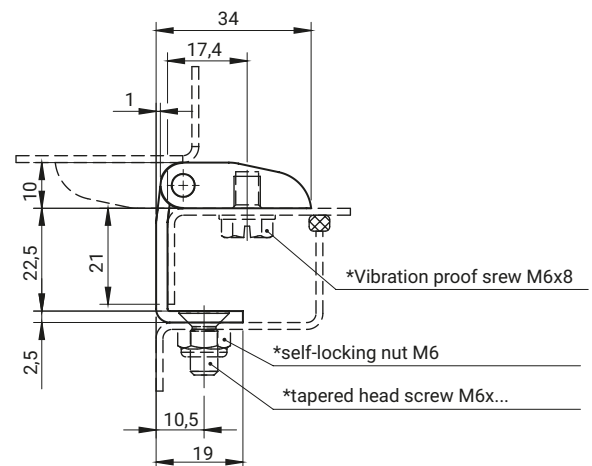
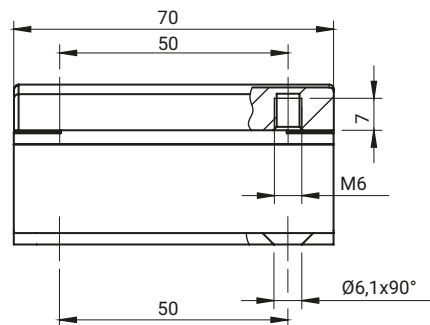
CATALOGUE NO.	COMPONENTS	MATERIAL
3.ZN157.001	Holder	ZAMAK
	Base	Steel zinc plated
	Pin	Stainless steel
FINISH [C]		
RAL9005		RAL7035
04		05

How to order:

Catalogue number

Finish [C]

3.ZN157.001 — 04



* not included in the scope of delivery

CATALOGUE NO.	COMPONENTS	MATERIAL	FINISH [C]	
			RAL9005	RAL7035
3.ZN154.009	Holder	ZAMAK 5		
	Base	Steel	04	05
	Pin	Stainless steel	-	-

How to order:

Catalogue number

Finish [C]

3.ZN154.009 — 04