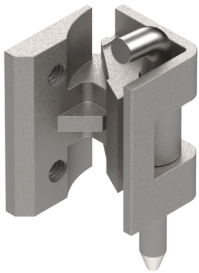
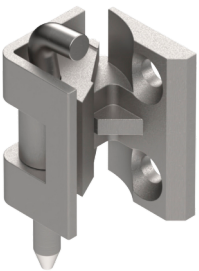


NEW

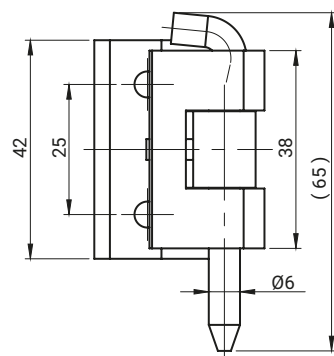


3.ZN80.003SN

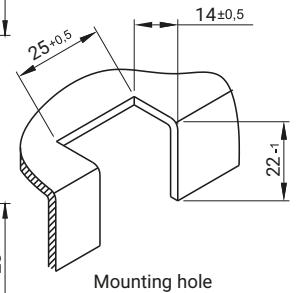
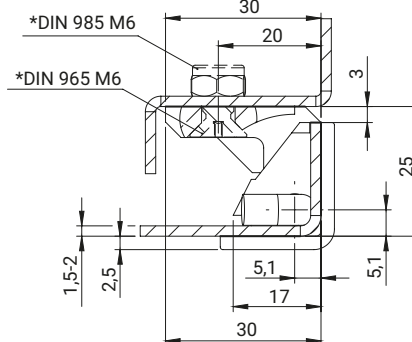
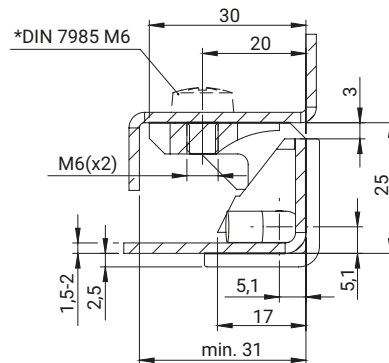
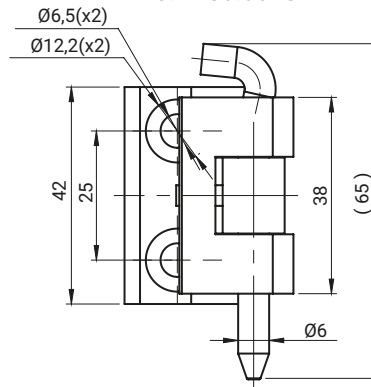


3.ZN80.004SN

3.ZN80.003SN



3.ZN80.004SN

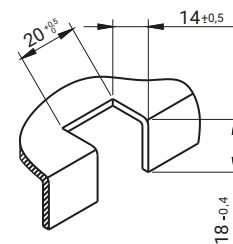
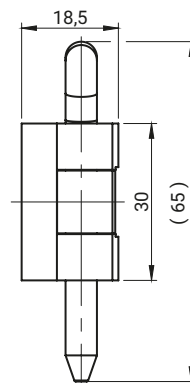


Mounting hole

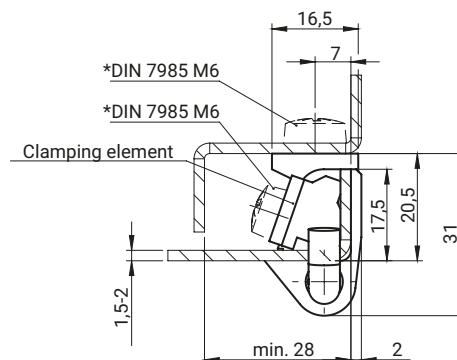
\* not included in the scope of delivery

CATALOGUE NO.	COMPONENTS	MATERIAL
3.ZN80.003SN	Holder, Base, Pin	Stainless steel (AISI 316)
3.ZN80.004SN		

NEW



Mounting hole



\* not included in the scope of delivery

CATALOGUE NO.	COMPONENTS	MATERIAL
3.ZN100.002SN	Holder, Base, Pin, Clamp	Stainless steel (AISI 316)