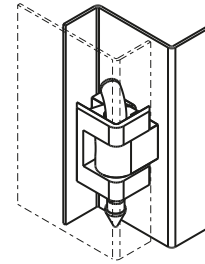
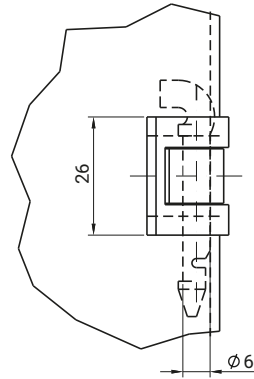
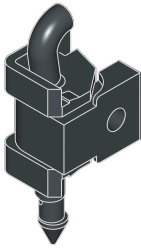
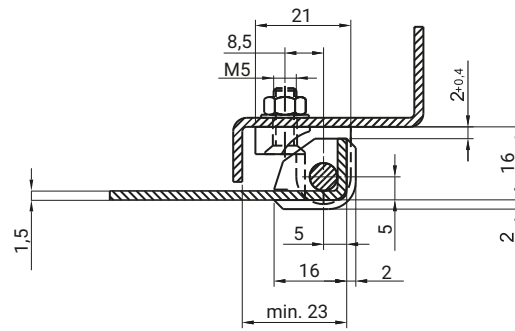
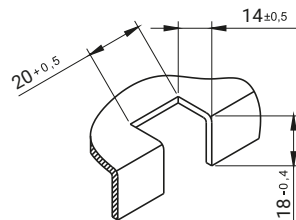
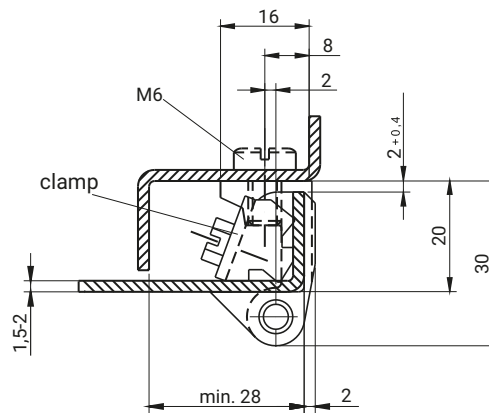
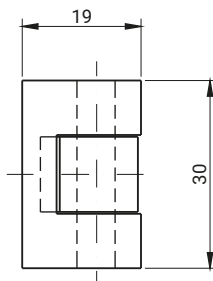


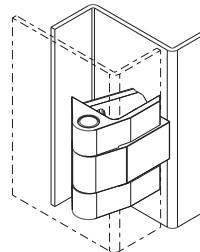
Mounting hole



CATALOGUE NO.	COMPONENTS	MATERIAL	FINISH [C]	
			RAL9005	RAL7035
3.ZN90.001	Holder, Base, Pin	Polyamide	07	08



Mounting hole



* possibility to make a different color

CATALOGUE NO.	COMPONENTS	MATERIAL	FINISH [C]	
			RAL9005	RAL7035
3.ZN100.001	Holder, Base	ZAMAK 5	04	05
	Close tight element, Pin	Steel zinc plated		

How to order:

Catalogue number

Finish

3.ZN100.001 — C