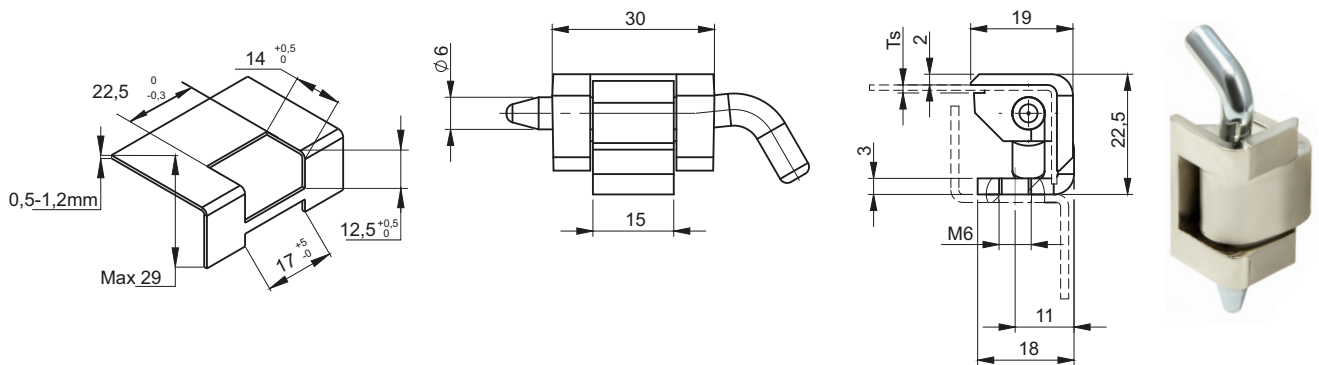


CATALOGUE NO.	DIMENSION L [mm]		COMPONENTS	MATERIAL	FINISH [C]				
					Chrome	Nickel	RAL9005	RAL7035	RAL7032
3.ZN70.001	56,5	70	Holder, Base	ZAMAK 5	01	02	04	05	12
			Pin	Steel zinc plated					
3.ZN70.003	51,5		Holder, Base	ZAMAK 5					
			Pin	POM					
3.ZN70.002SN	56,5	70	Holder, Base, Pin	Stainless steel					



Ts - thickness of metal sheet [mm]

CATALOGUE NO.	Ts [mm]	COMPONENTS	MATERIAL	FINISH [C]			
				Chrome	Nickel	RAL9005	RAL7035
3.ZN75.003	0,8-1,2	Holder	ZAMAK 5	01	02	04	05
		Pin, Base	Steel zinc plated				
3.ZN75.004	1,5-2,0	Holder	ZAMAK 5				
		Pin, Base	Steel zinc plated				

How to order:

Catalogue number

Dimension

Finish

