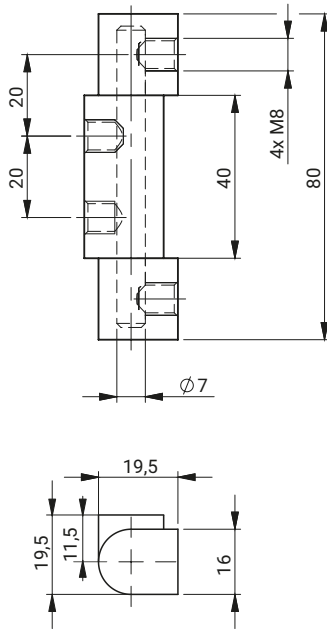
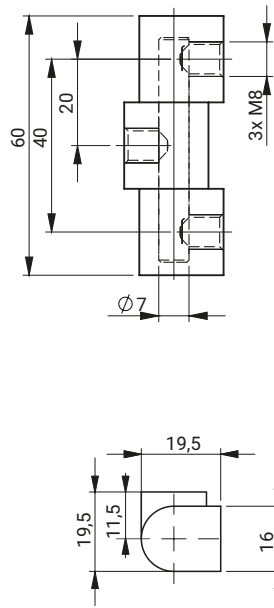


**3.504.001**



**3.505.001**

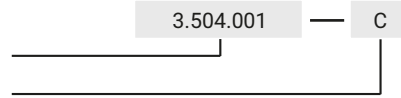


CATALOGUE NO.	COMPONENTS	MATERIAL	FINISH [C]		
			Chrome	Galvanized	RAL 9005
3.504.001	Holder, Base	Brass	01	03	04
3.505.001	Pin	Steel zinc plated			

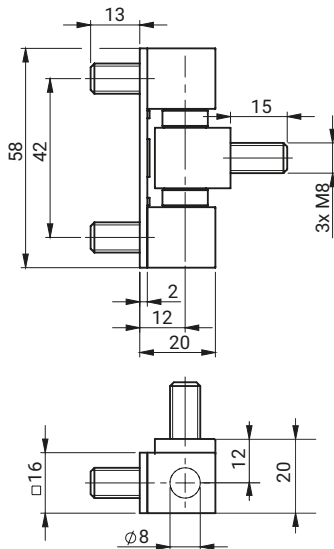
**How to order:**

Catalogue number

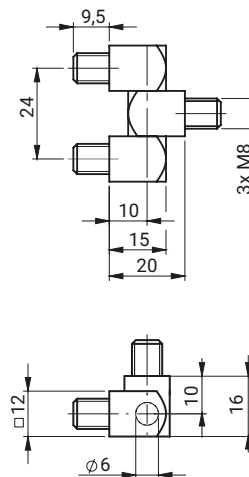
Finish



**3.506.001**



**3.507.001**



CATALOGUE NO.	COMPONENTS	MATERIAL	FINISH [C]
			Nickel
3.506.001	Holder, Base	Steel	02
3.507.001	Pin	Steel zinc plated	

**How to order:**

Catalogue number

Finish

