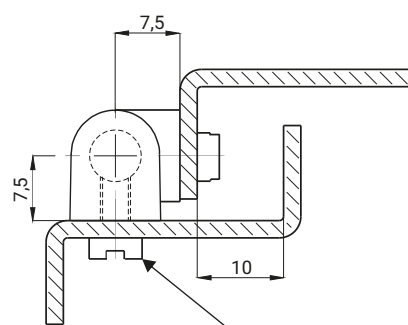
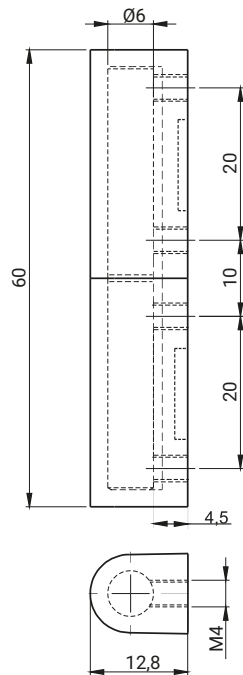


Screws M4 with cylindrical head
DIN 84, ISO1207 **

* possibility to order stainless steel pin.
** not included in the scope of delivery

CATALOGUE NO.	COMPONENTS	MATERIAL	FINISH [C]
			RAL 9005
3.ZN155.001	Holder, Base	ZAMAK 5	04
	Pin	Steel zinc plated, *	



Screws M4 with cylindrical head
DIN 84, ISO1207 **

* possibility to order stainless steel pin.
** not included in the scope of delivery

CATALOGUE NO.	COMPONENTS	MATERIAL	FINISH [C]
			RAL 9005
3.ZN155.002	Holder, Base	ZAMAK 5	04
	Pin	Steel zinc plated, *	