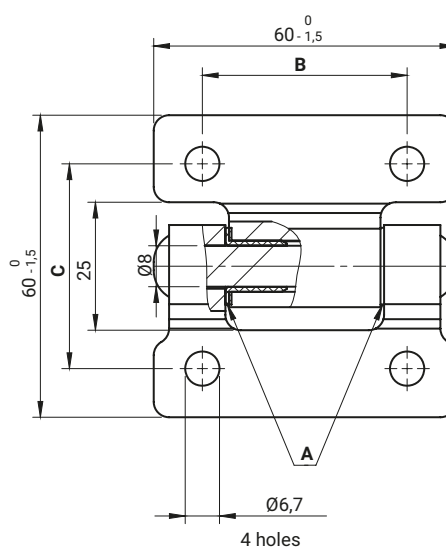
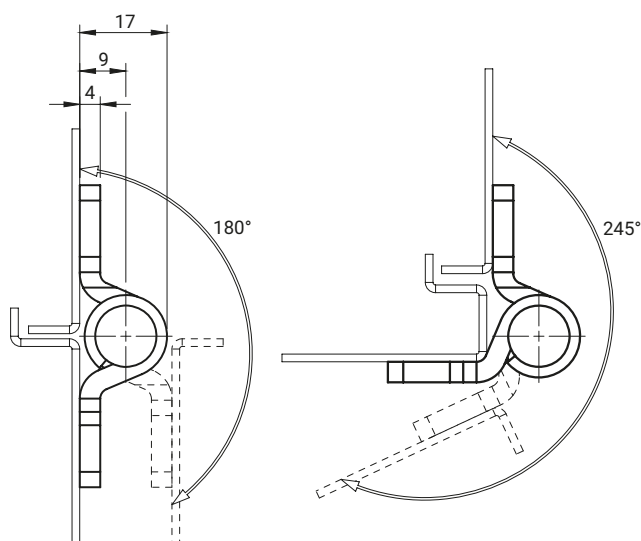


Version .001 .002

Version .003 .004



A - plastic bushing

CATALOGUE NO.	DIMENSION		COMPONENTS	MATERIAL	FINISH [C]
	B	C			RAL 9005
3.ST56-2.001	40	40	Holder, Base,	Steel zinc plated	04
3.ST56-2.003					
3.ST56-2.002	44	43	Pin	Stainless steel	No
3.ST56-2.004					
3.ST56-2.001SN	40	40	Holder, Base, Pin	Stainless steel	No
3.ST56-2.003SN					
3.ST56-2.002SN	44	43			
3.ST56-2.004SN					

How to order:

Catalogue number

Finish [C]

