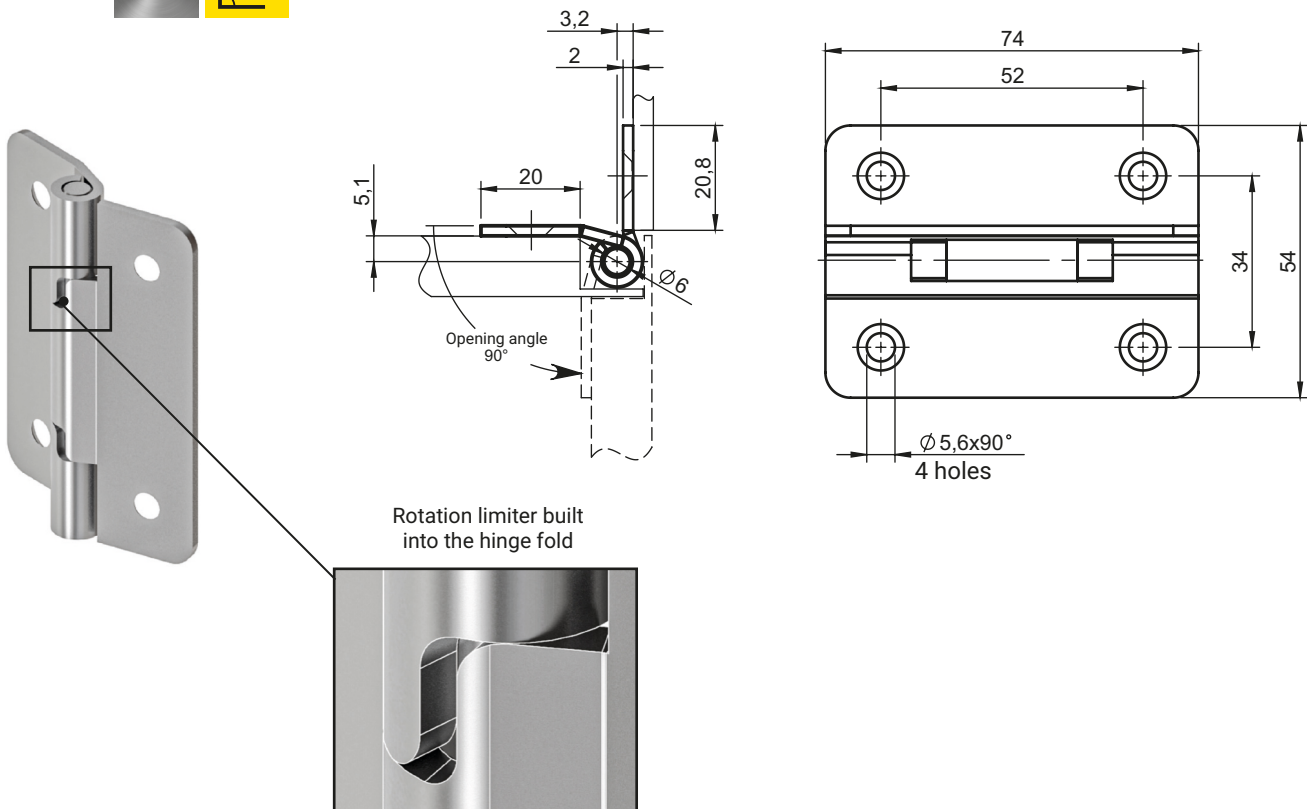


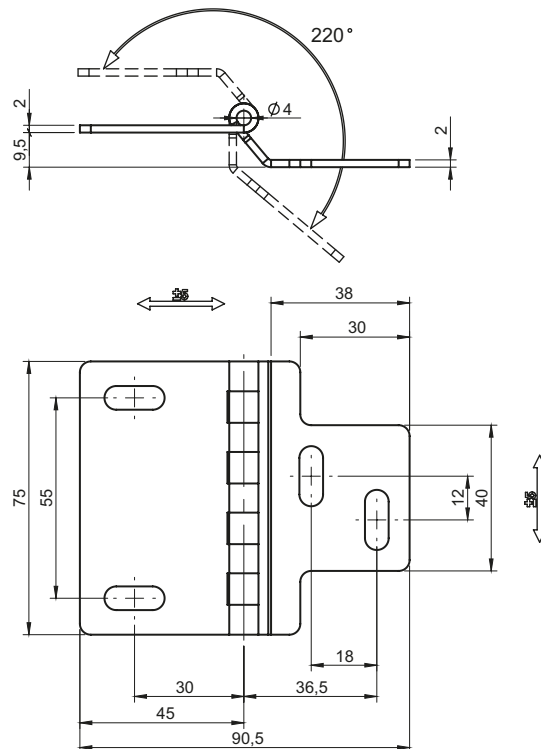
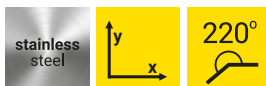
Hinge with an opening angle limiter 3.ST145

Hinge 3.ST146



Hinge with an opening angle limiter up to 90°.

CATALOGUE NO.	COMPONENTS	MATERIAL
3.ST145.001SN	Holder, Base, Pin	Stainless steel



Hinge with two-way position adjustment

CATALOGUE NO.	MATERIAL
3.ST146.001SN	Stainless steel