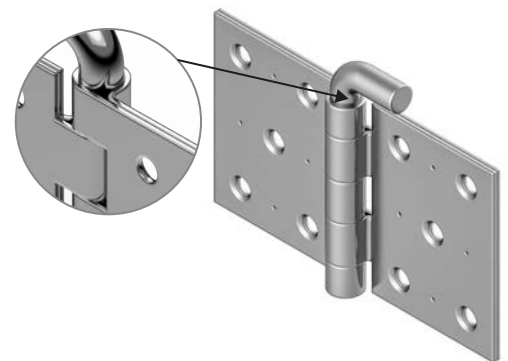
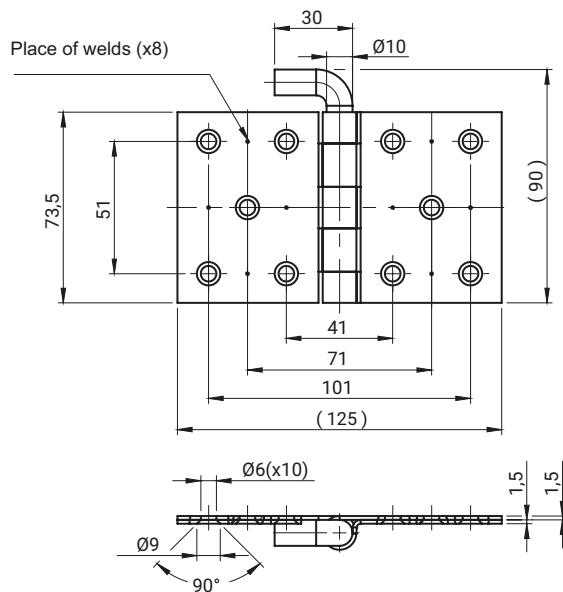


Hinge sold together with set of screws DIN 603 M8x16

CATALOGUE NO.	COMPONENTS	MATERIAL
3.ST117.001 3.ST117.002 3.ST117.003	Holder, Base, DIN603 M8x16	Steel zinc plated
	Pin	Stainless steel



CATALOGUE NO.	COMPONENTS	MATERIAL
3.546.001	Holder, Base	Stainless steel 316
	Pin	