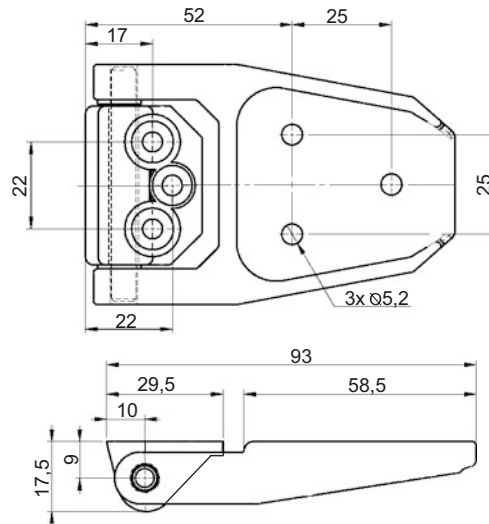


CATALOGUE NO.	COMPONENTS	MATERIAL
3.ST133.001	Holder, Base, Pin	Stainless steel polished



CATALOGUE NO.	COMPONENTS	MATERIAL	FINISH [C]
			RAL 9005
3.534.001	Holder, Base	Polyamide	07
	Pin	Zinc-plated steel	