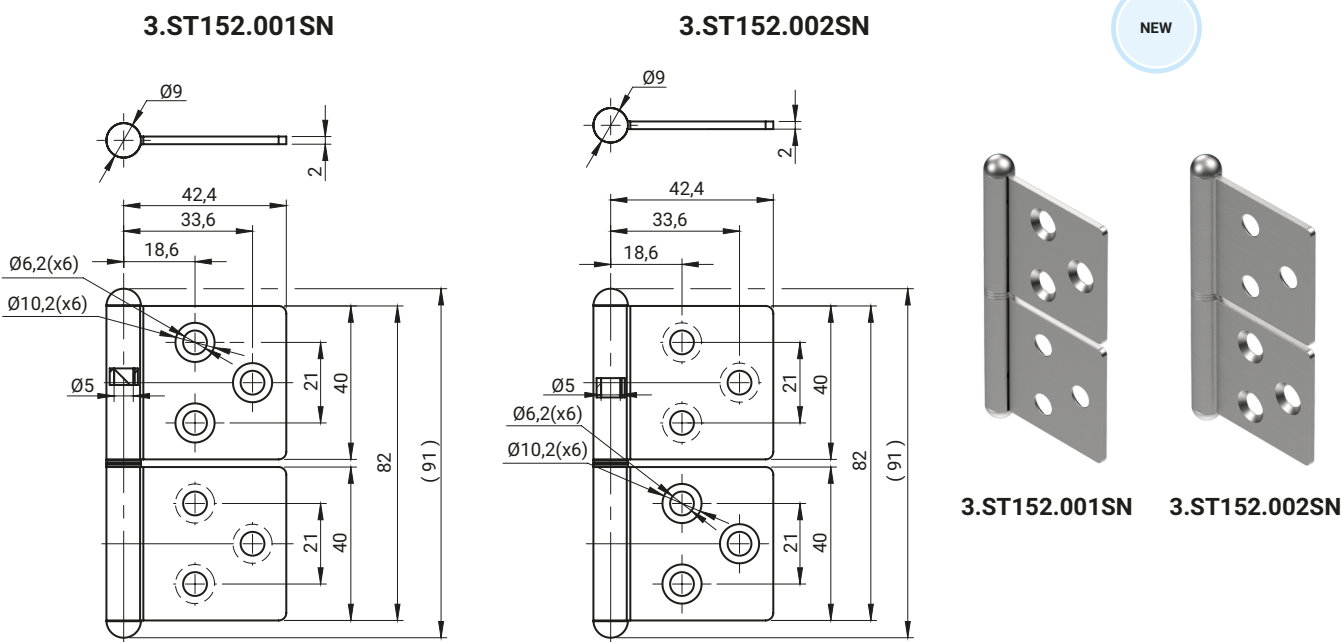


CATALOGUE NO.	MATERIAL	COMPONENTS	MATERIAL
3.ST151.001	Right	Handle, rate, blinder cap, insert, washer	Steel zinc plated
3.ST151.002	Left		



CATALOGUE NO.	COMPONENTS	MATERIAL
3.ST152.001	Handle, rate, blinder cap, insert	Stainless steel
3.ST152.002		