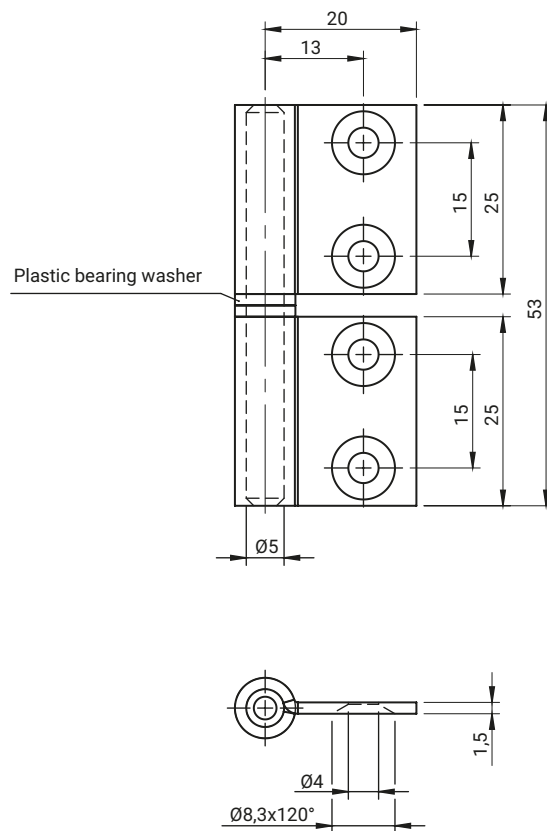


CATALOGUE NO.	COMPONENTS	MATERIAL
3.ST127.001SN	Holder, Base, Pin	Stainless steel



Hinge pin welded into one of the wings during final assembly.
Hinge supplied in a sets of parts.

CATALOGUE NO.	COMPONENTS	MATERIAL
3.ST127.002SN	Holder, Base, Pin	Stainless steel