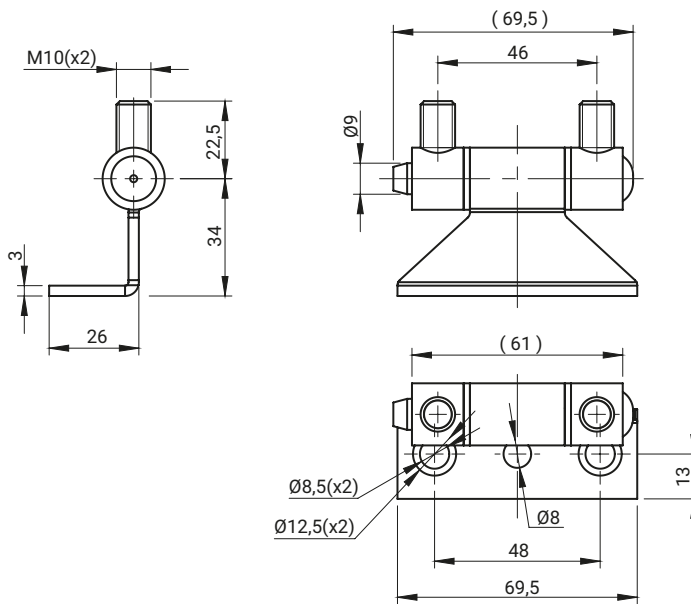


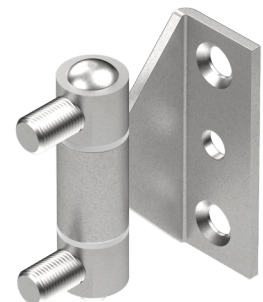
NEW



CATALOGUE NO.	COMPONENTS	MATERIAL
3.ST153.001	Handle, rate, insert	Steel zinc plated
	Sleeve	POM



NEW



CATALOGUE NO.	COMPONENTS	MATERIAL
3.ST154.001	Handle, rate, insert	Steel zinc plated
	Sleeve	POM