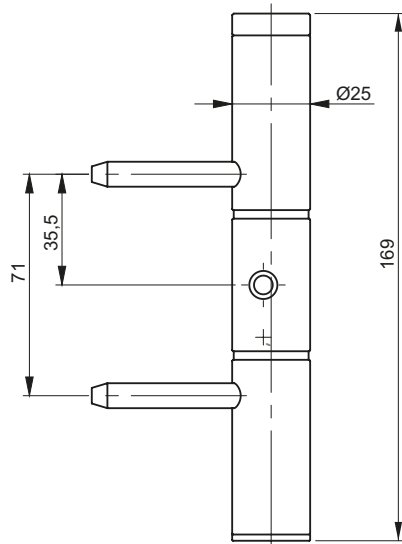
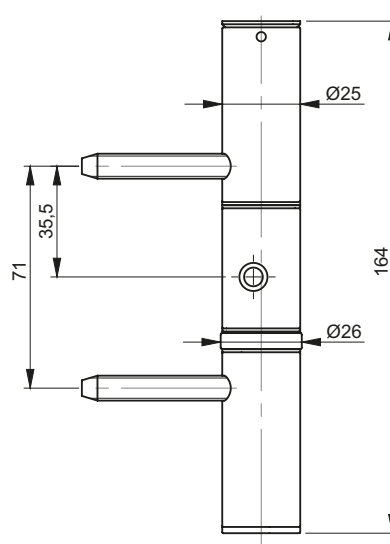


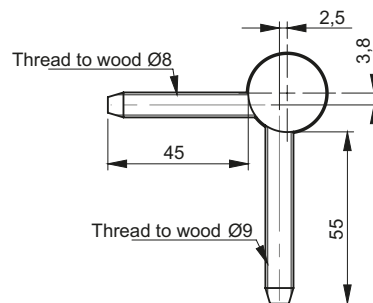
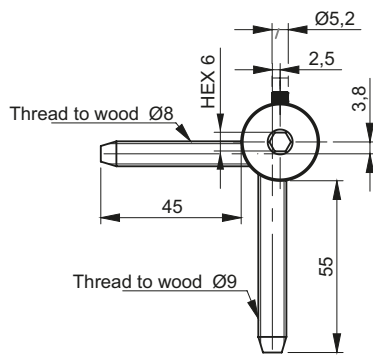
3.ST109.100



3.ST109.101



3.ST109.100



3.ST109.101

CATALOGUE NO.	DETAIL	COMPONENTS	MATERIAL
3.ST109.100	Spring hinge	Holder, Base	Steel zinc plated
3.ST109.101	KO hinge		