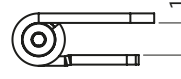
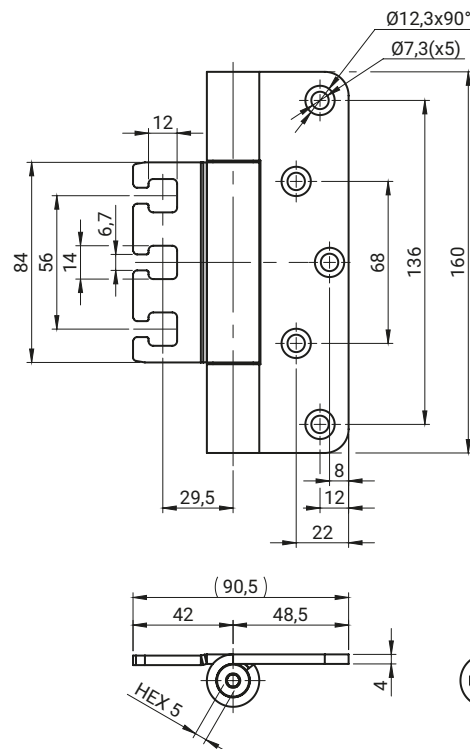


The hinge with 3D adjustment vertically and horizontally +/- 3.0 mm works with the cassette (3.ST500.001 or 3.ST500.002) with page 3A-76 mounted to the frame.

CATALOGUE NO.	COMPONENTS	MATERIAL
3.ST504.001	Base, Cover	Stainless steel



The hinge with 3D adjustment vertically and horizontally +/- 3.0 mm works with the cassette (3.ST500.001 or 3.ST500.002) with page 3A-76 mounted to the frame.

CATALOGUE NO.	COMPONENTS	MATERIAL
3.ST505.001	Holder, Base	Stainless steel