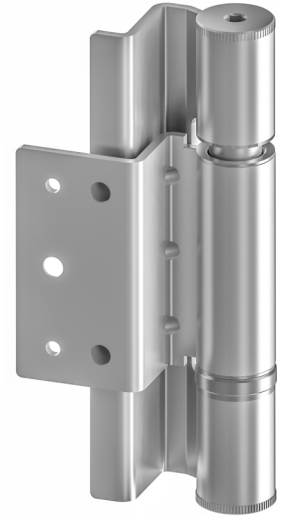
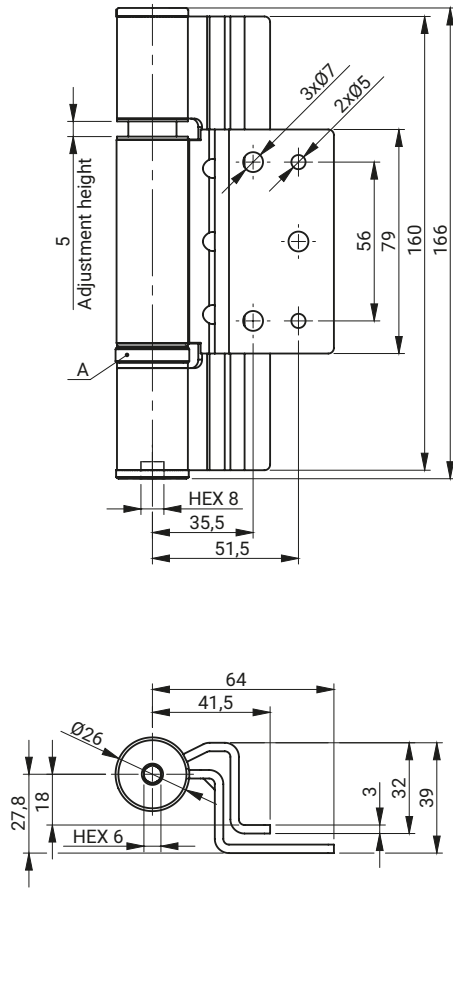


## Fire door hinges with high regulation on thread

**3.ST109.007-B**  
Left version

**3.ST109.007-A**  
Right version



A - thrust bearing

Max. load: 80kg

Hinge welded to door frame and screwed into a door

Hinge 3.ST109.007 is compatible with spring hinge 3.ST109.001-A

CATALOGUE NO.	VERSION	COMPONENTS	MATERIAL
3.ST109.007-A	Right	Holder, Base, Pin	Steel zinc plated
3.ST109.007-B	Left		