

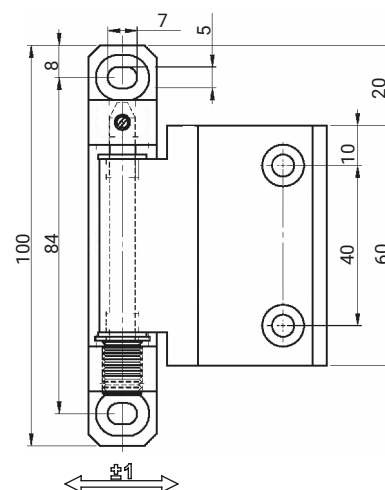
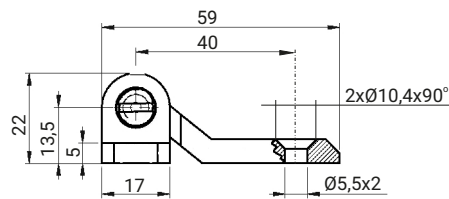
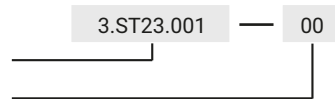
h [mm]	10	12
X	00	01

CATALOGUE NO.	COMPONENTS	MATERIAL
3.ST23.001	Holder	Uncovered steel
	Base, Pin	Steel zinc plated
3.ST23.001SN	Holder	Stainless steel
	Base, Pin	Stainless steel

How to order:

Catalogue number

Height h



CATALOGUE NO.	COMPONENTS	MATERIAL	FINISH [C]	
			Chrome	RAL 9005
3.535.001	Holder	ZAMAK 5	01	04
	Base	ZAMAK 5		

How to order:

Catalogue number

Finish

