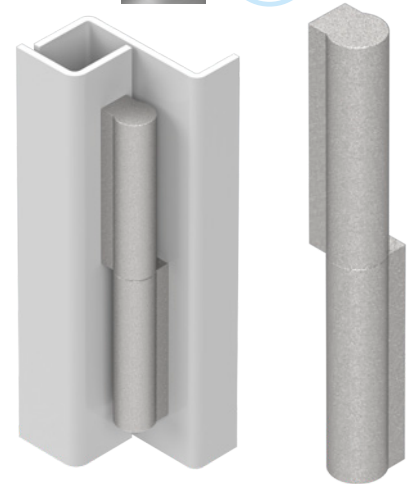
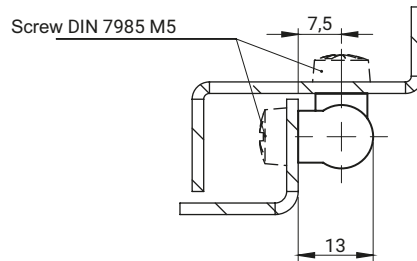
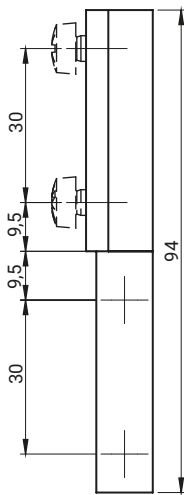
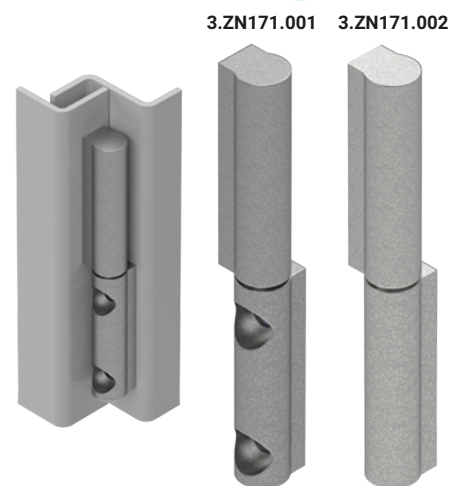
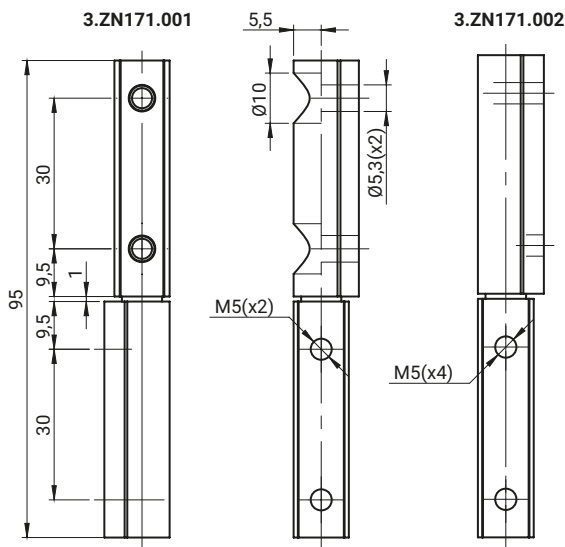


\* not included in the scope of delivery.

CATALOGUE NO.	COMPONENTS	MATERIAL	FINISH [C]
3.515.001SN	Holder, Base, Pin	Stainless steel (AISI 316)	-



CATALOGUE NO.	COMPONENTS	MATERIAL	FINISH [C]
3.ZN170.001SN	Holder, Base, Pin	Stainless steel (AISI 316)	-



\* not included in the scope of delivery.

CATALOGUE NO.	COMPONENTS	MATERIAL	FINISH [C]
3.ZN171.001	Holder, Base	Steel zinc plated	-
3.ZN171.002	Holder, Base	Steel zinc plated	-