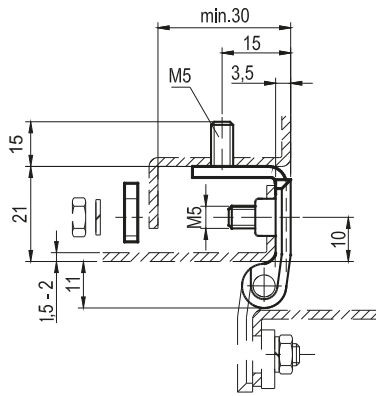
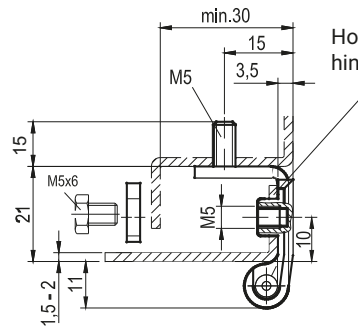


**3.ZN120.001**



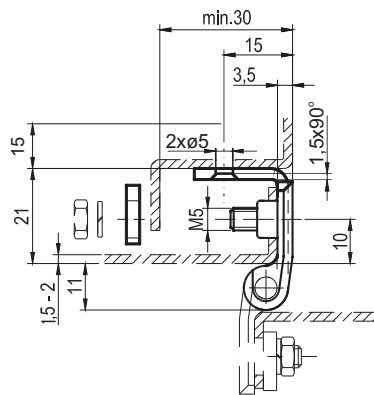
**3.ZN120.002**



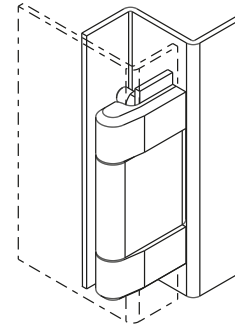
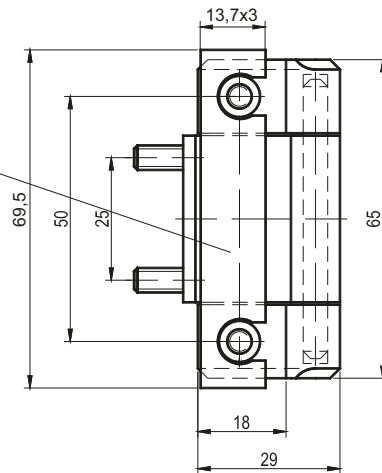
Hole for installing the hinge Ø 9,2 mm



**3.ZN120.005**



Special washer  
2 pcs.



Note:  
When using the hinge to sheet a thickness of 1 mm, should order special washer having a thickness of 1 mm

CATALOGUE NO.	VERSION	COMPONENTS	MATERIAL	FINISH [C]	
				RAL 9005	RAL 7035
3.ZN120.001	Stud M5	Holder	ZAMAK 5		
3.ZN120.002	Hole M5	Pin, Base	Steel zinc plated	04	05
3.ZN120.005	Hole M5	Pin, Base	Steel zinc plated		

How to order:

Catalogue number

Finish

3.ZN120.001 — C