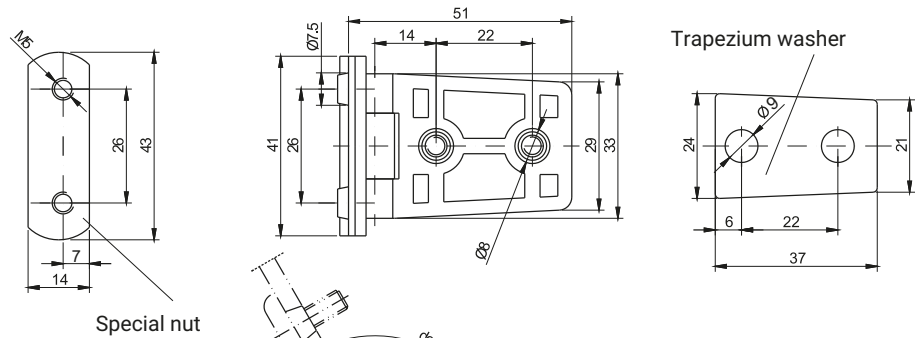


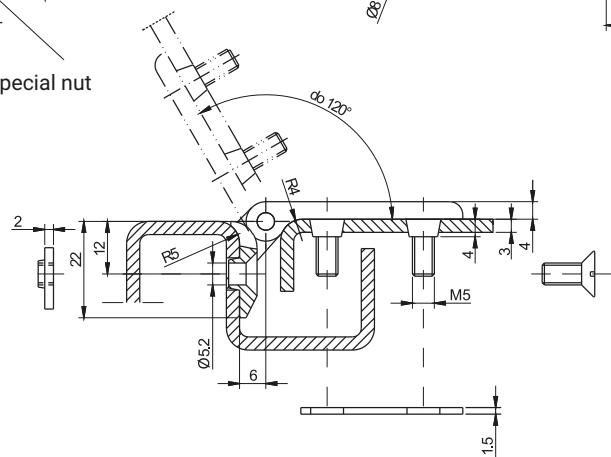
Trapezium washer

CATALOGUE NO.	COMPONENTS	MATERIAL	FINISH [C]	
			RAL 9005	RAL 7035
3.ZN1.001	Holder, Base	ZAMAK 5	04	05
	Pin	Brass		
	Washer, nut	Steel zinc plated		



Trapezium washer

Special nut



CATALOGUE NO.	COMPONENTS	MATERIAL	FINISH [C]	
			RAL 9005	RAL 7035
3.ZN2.001	Holder, Base	ZAMAK 5	04	05
	Pin	Brass		
	Washer, nut	Steel zinc plated		

**How to order:**

Catalogue number

Finish

