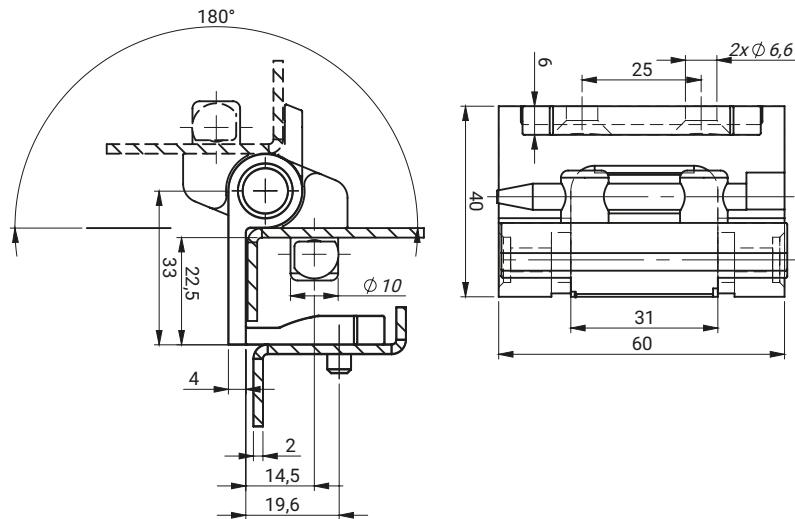


\* possible to order stainless steel pin.

CATALOGUE NO.	COMPONENTS	MATERIAL	FINISH [C]	
			Chrome	RAL 9005
3.529.001*	Holder, Base	ZAMAK 5	01	04
	Pin	Steel zinc plated*		



\*\* possible to order polyamide pin.

CATALOGUE NO.	COMPONENTS	MATERIAL	FINISH [C]	
			Chrome	RAL 9005
3.530.001**	Holder, Base	ZAMAK 5	01	04
	Pin	Steel zinc plated		

How to order:

Catalogue number

Finish

