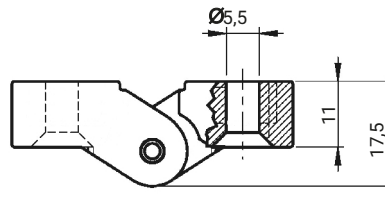
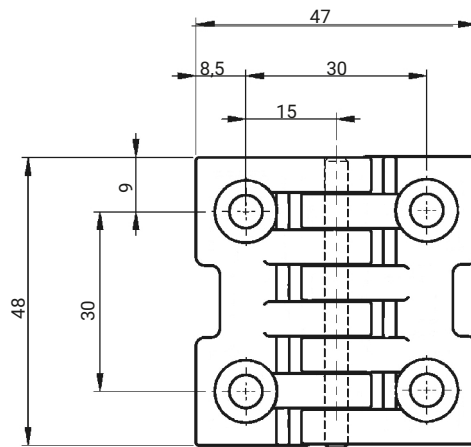


CATALOGUE NO.	DIMENSION L	COMPONENTS	MATERIAL	FINISH [C]	
				RAL 9005	
3.ZN48-PA.001	14	Holder, Base	Polyamide Pa6	07	
3.ZN48-PA.101	24	Pin, Studs	Steel zinc plated		
3.ZN48-PA.102 SN	14	Holder, Base	Polyamide Pa6		
3.ZN48-PA.103 SN	24	Pin, Studs	Stainless steel		



CATALOGUE NO.	COMPONENTS	MATERIAL	FINISH [C]	
			RAL9005	RAL7035
3.527.001	Holder, Base	Polyamide	07	08
	Pin	Steel zinc plated		

How to order:

Catalogue number

Finish

